



GlassPad - KNX GLASS BUTTON

GPxxAxxKNX

Product and Applications description

GlassPad button range of KNX devices is divided in 4 different models based on the number of switch and on the inwall box dimension.

GlassPad is based on touch technology and can be installed in Horizontal or Vertical position

Code	Buttons	Wall Box
GP03A03KNX	3	3 modules
GP06A03KNX	6	3 modules
GP04A04KNX	4	4 modules
GP08A04KNX	8	4 modules

Product has buttons which can be configured to manage lights, dimmers, shutters, scenarios, sequences of commands, etc;

It has led's (amber) in the front side, one for each button, each led freely configurable by ets.

Device also includes a blue backlight, configurable by ETS and dimmable, mainly for night localization.

The device is equipped with appropriate communication interface with the bus type TP1 (twisted pair) KNX European standard, according CEI EN 50090.

Application Program

Downloadable from eelectron website (www.eelectron.com)

Maximum number of group addresses: **53**
This is the maximum number of different group addresses the device is able to memorize.

Maximum number of associations: **60**
This is the maximum number of associations between communication objects and group addresses the device is able to memorize.

Technical data

Power Supply:

Via bus EIB/KNX cable

- Voltage 21...30V DC
- Current Consumption EIB/KNX $\leq 5\text{mA}$

Buttons:

- Switches : 3,4,6 or 8

Output

- Number: 3,4,6 or 8 amber leds
- Backlight: blue

Control Elements

- EIB/KNX led and button for physical address programming

Connections

- Terminals: 2 Terminals for connections bus

Electrical safety

- Degree of pollution (IEC 60664-1): 2
- Degree of protection (EN 60529): IP 20
- Protection class (according to IEC 1140): III
- Overvoltage class (according to IEC 664-1): III
- Bus: safety voltage SELV DC 29 V
- Meets EN 50090 and IEC 664-1: 1992

EMC Requirements

Compliant to EN 50081-1, EN 50082-2 and EN 50090-2.2

Terms of use

- According to EN 50090-2.2
- Ambient temperature during operation: 0 °C +4 5 °C
- Storage temperature: - 20 °C + 55 °C
- Relative humidity: max 90% (not condensing)

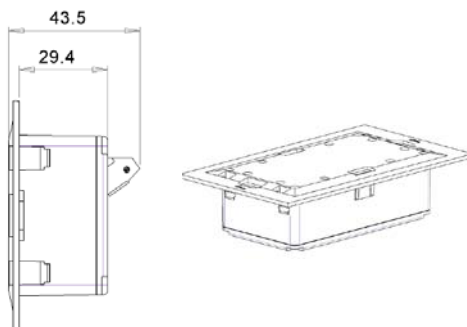
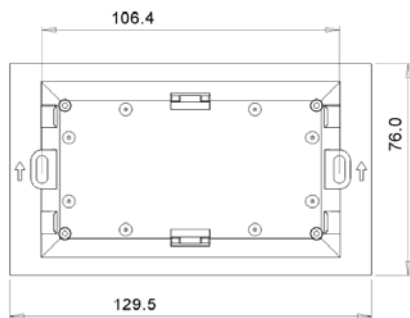
Certification

EIB/KNX certificate

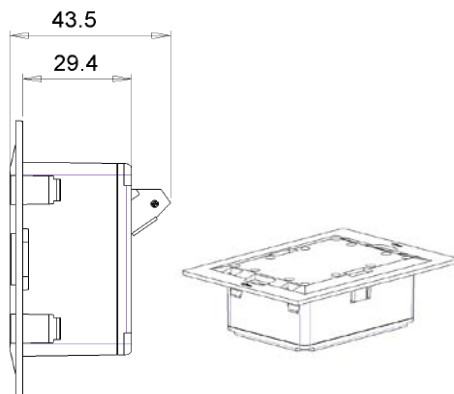
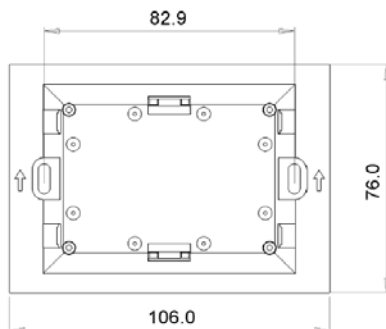
CE Mark

According to EMC guideline and low voltage directive

Mechanical Data 4 modules Inwall Box



Mechanical Data 3 modules Inwall Box



Installation Instructions

The device may be used for permanent indoor installations in dry locations within wall box mounts.

WARNING

- The device must not be connected to 230V cables
- The prevailing safety rules must be heeded.
- The device must be mounted and commissioned by an authorised installer.
- The device must not be opened. Any faulty devices should be returned to manufacturer.
- For planning and construction of electric installations, the relevant guidelines, regulations and standards of the respective country are to be considered.

Mounting and Wiring hints

General Description

The device configuration is done by pressing the programming push button located in the back side of the housing. Please take care during installation to leave connection wires long enough in order to remove the device easily from the wall box for commissioning.

Connecting bus cables

- Connect each single KNX/EIB bus core inside the terminal block observing bus polarity .
- Slip the bus connection block into the guide slot placed on the back side of this device and press the block down to the stop.

For further information please visit www.eelectron.com

eelectron spa
Via Monteverdi 6,
I-20025 Legnano (MI) - Italia
Email: info@eelectron.com
www.eelectron.com

