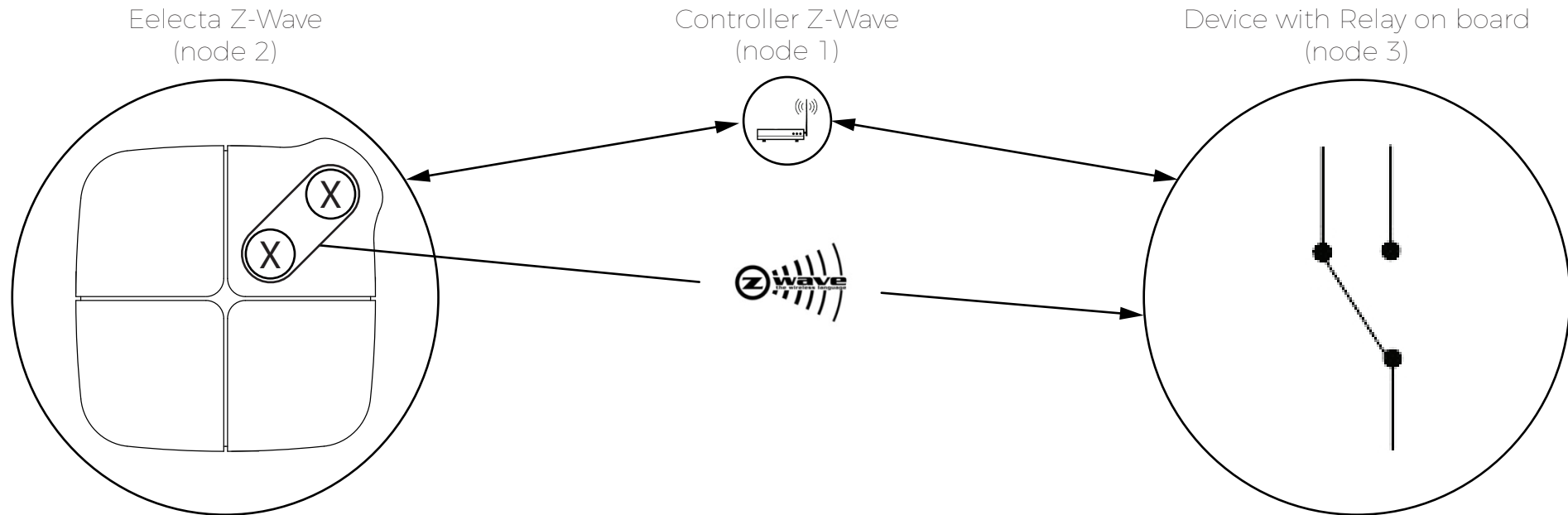


# Configurations schema Eelecta | Z-Wave Plus



EELECTRON S.P.A. - Via Claudio Monteverdi, 6  
20025 Legnano (MI) Italia - Tel. +39 0331 500802

# Drive an external relay via an Eelecta Homepad



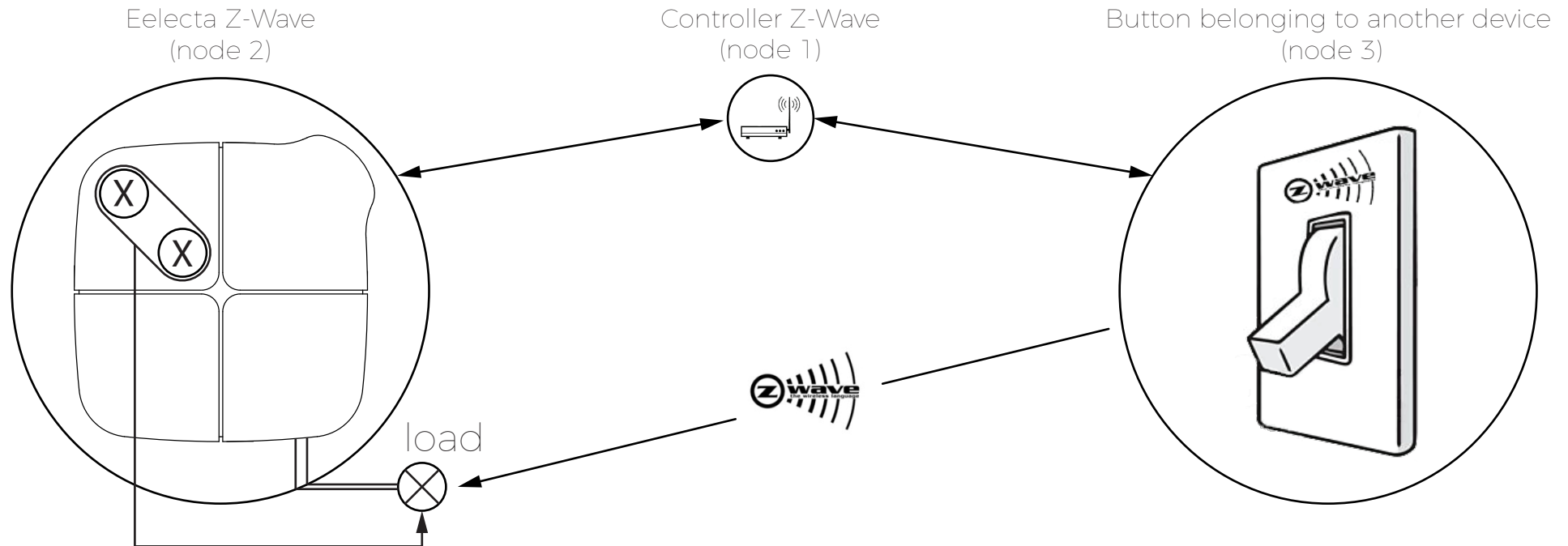
## Eelecta setting (node 2)

Parameter: 5 | value: 2 - The LED associated with the external load will switch following the load status.

Group 1 LifeLine | value: 1, 3

Group 3 On/Off control (button 3) | value: 3

A key of the Eelecta Homepad device and a button of an external device control the relay on board the Eelecta device



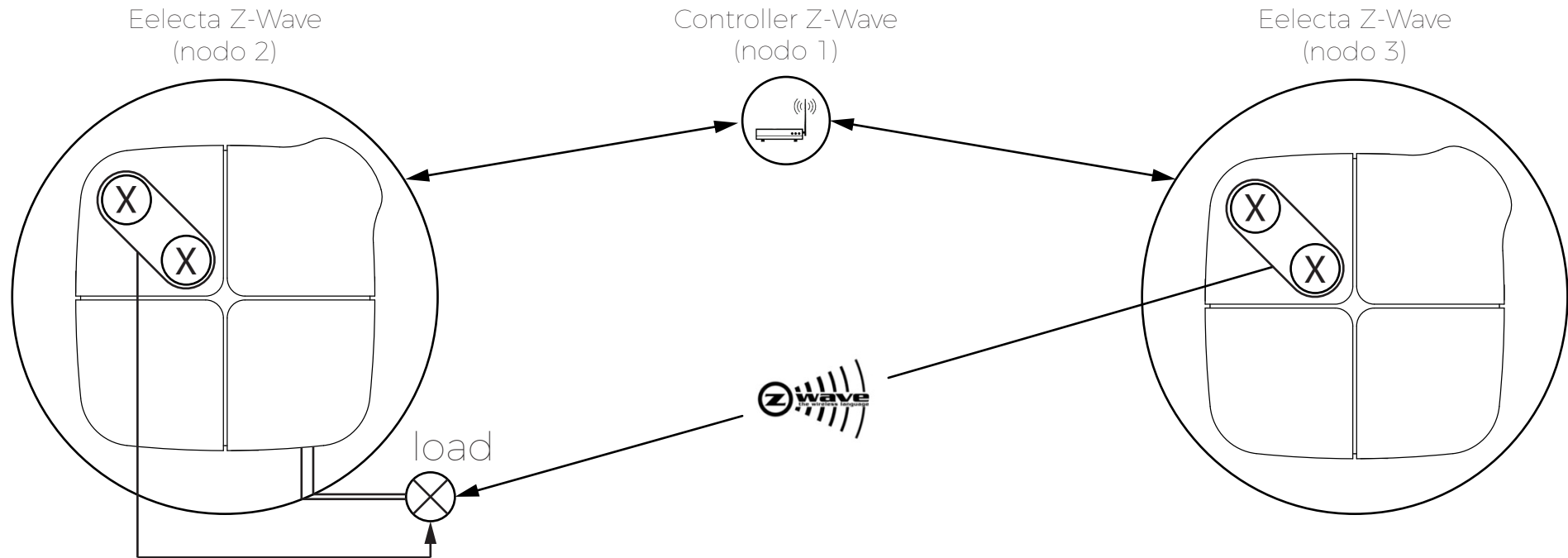
### Eelecta setting (node 2)

**Parameter: 1** | value: 1 - Eelecta pad 1 switches the on board relay.

**Parameter: 5** | value: 4+1 - The LED associated with the local load will switch following the status.

**Group 1 LifeLine** | value: 1, 3

An Eelecta Homepad drives its own relay with a pad; The same relay is controlled by an button of another Eelecta Homepad



### Eelecta setting (nodo 2)

**Parameter: 1** | value: 1 - Eelecta pad 1 switches the on board relay.

**Parameter: 5** | value: 4+1 - The LED associated with the local load will switch following the status.

**Group 1 LifeLine** | value: 1, 3

### Eelecta setting (nodo 3)

**Parameter: 1** | value: 0 - Eelecta pad 1 NOT switches the on board relay.

**Parameter: 5** | value: 2 - The LED associated with the external load will switch following the load status.

**Group 1 LifeLine** | value: 1, 2

**Group 2 On/Off control (button 1)** | value: 2

# The Eelecta Homepad devices implement a relay

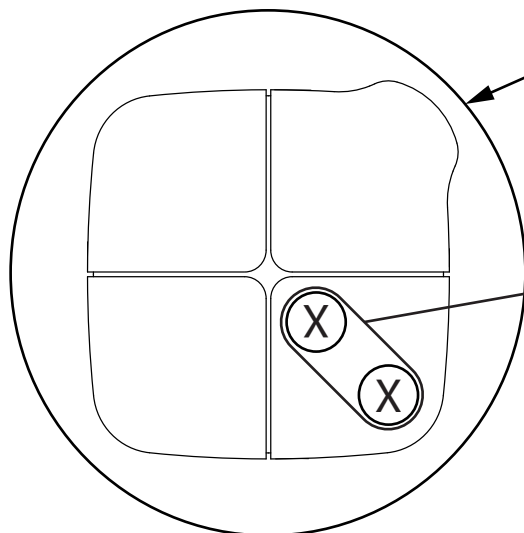
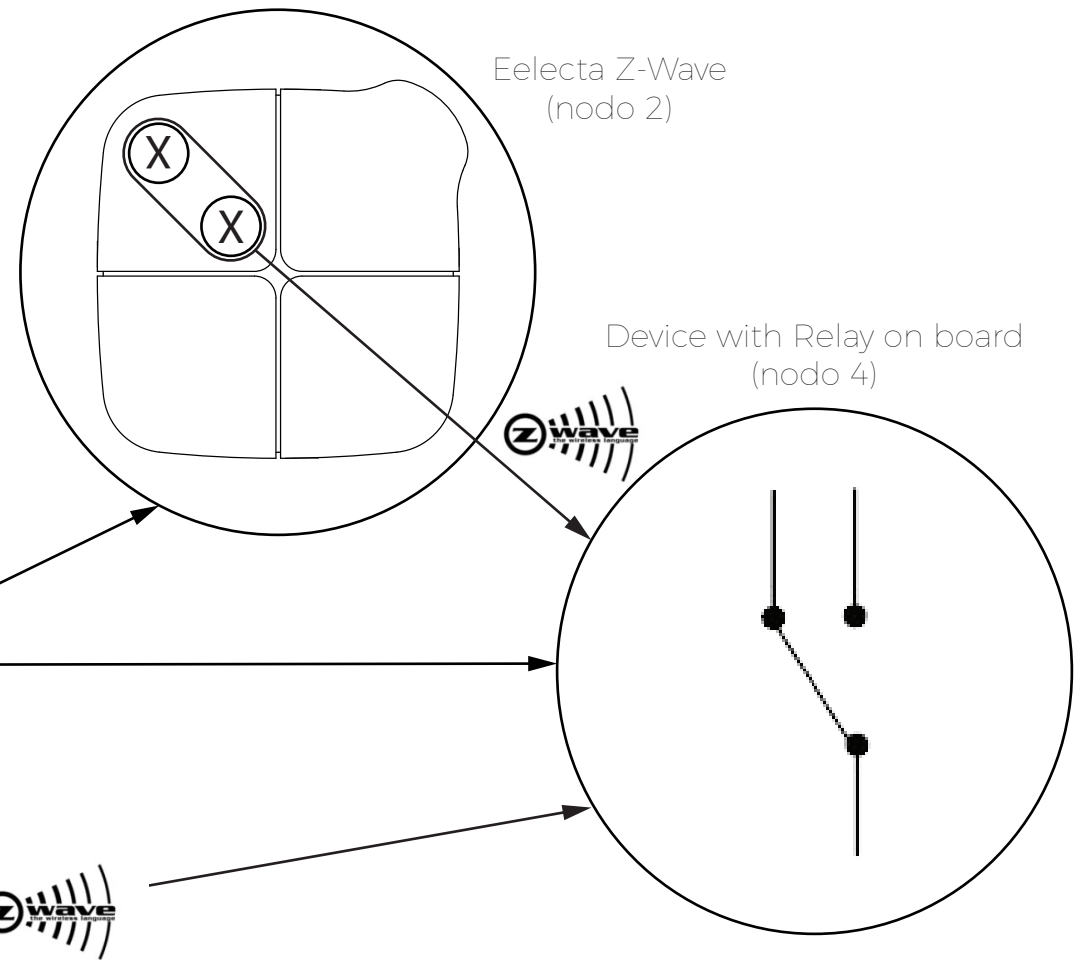
## Eelecta setting (nodo 2)

**Parametro: 1** | Value: 0 - Eelecta pad 1 NOT switches the on board relay.

**Parametro: 5** | value: 2 - The LED associated with the external load will switch following the load status.

**Gruppo 1 LifeLine** | valore: 1, 3, 4

**Gruppo 2 On/Off control (button 1)** | value: 4



Eelecta Z-Wave (nodo 3)

## Eelecta setting (nodo 3)

**Parameter: 5** | value: 2 - The LED associated with the external load will switch following the load status.

**Group 1 LifeLine** | value: 1, 2, 4

**Group 4 On/Off control (button 3)** | value: 4