



# **Product**Catalogue



Company Profile

# 3025

55x55

4 Controls, 5 Materials,  
Thermostat



P.06

## DockingStation

Mobile Apps



P.44

## eelecta®

HomePad, MiniPad,  
MiniSwitch, Touch Panel  
Frames and Sockets.



P.14

## GlassPad

Switches, Touch Panel  
Frames and Sockets.



P.34

## Synchronicity

Guest Room Management  
Systems  
HVAC, Access Control,



P.46

## KNX® Actuators

Sensors, Interfaces,  
System Components



P.60

# Application

3025

eelecta®

GlassPad

Synchronicity

**KNX**® Actuators

RESIDENTIAL

R

HOTEL

H

BUILDING

B



Eelectron is an Italian company with a focus on designing and manufacturing electronic devices dedicated to building and home evolution and closely related software tools.

As of year 2005, Eelectron applies to KNX Association, fulfilling his requirements with the main goal of giving a contribution to the diffusion of the world's only open Standard for home and building automation.

Eelectron philosophy of comprehensive aesthetic design and engagement in developing highly innovative devices, matched with KNX interoperability and compliance with international requirements, has engendered Eelectron's distinct reputation.

Today Eelectron is leading the market by following his roots and including new technologies.

**Eelectron, the tradition of pioneering .**



The EIB / KNX technology standard is now the most widely used in the field of control for buildings with service and residential uses, and covers more than 10,000 devices produced by some 130 leading manufacturers in electronics / devices, and more than 12 million nodes installed worldwide.

KNX is approved by:

- European Standard (CENELEC EN 50090, CEN EN CEN 13321-1 and EN 1332-2 "KNXnet / IP")
- International Standard (ISO / IEC 14543-3)
- Chinese Standard (GB / Z 20965)
- U.S. Standard (ANSI / ASHRAE 135)

For more information see the Konnex website at: [www.konnex.org](http://www.konnex.org)



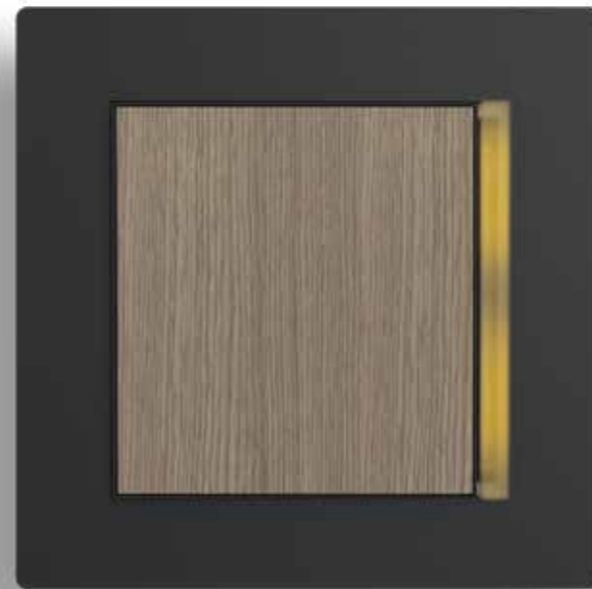
Eelectron SpA is a Training Center certificated by KNX Association.  
For more informations concerning our courses, check our site: [www.eelectron.com](http://www.eelectron.com)

## Strong Points

- KNX Developer since **15 years**.
- R&D, Design and manufacturing **fully made in Italy**.
- High quality rate.
- Global partners in more than **75 Countries**.
- Over **25,000** hotel rooms running, prestigious villas, large complexes and bulding equipped with our products worldwide
- Targeting large scale residential and **complex application**
- Ready for customization on large installations.
- Branch offices in **Paris, Dubai, Bangkok, Beijing, Hong Kong**

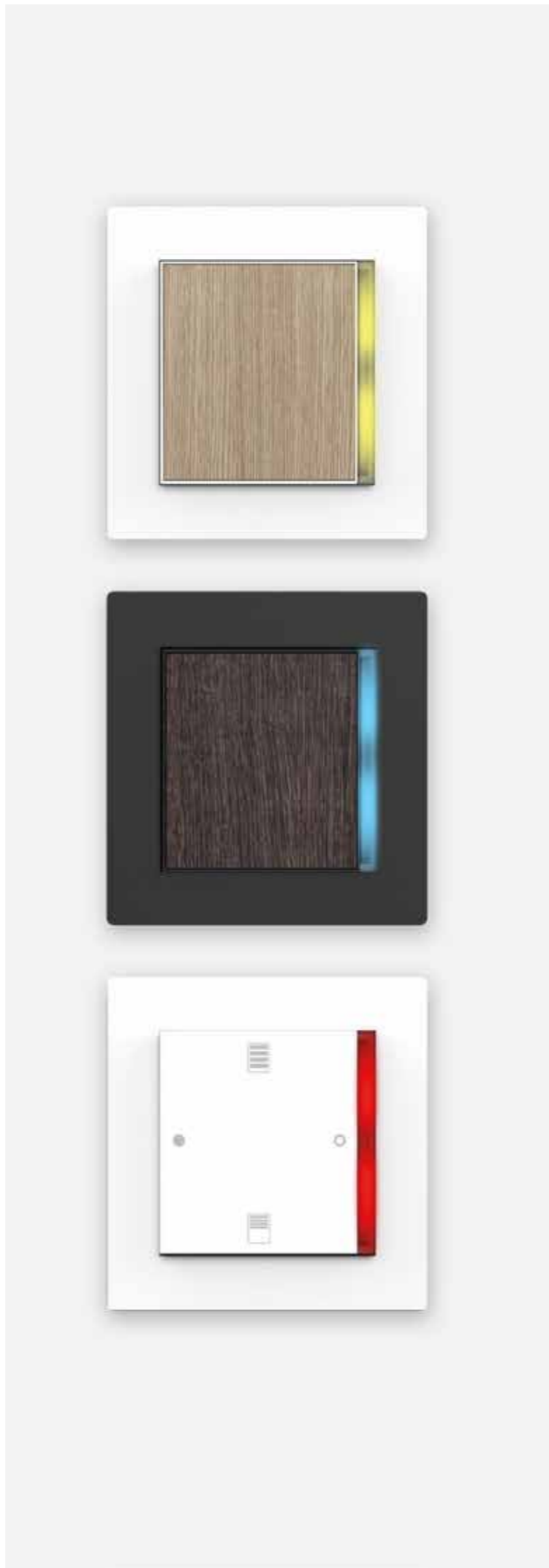
# 3025

Warmth, in your place

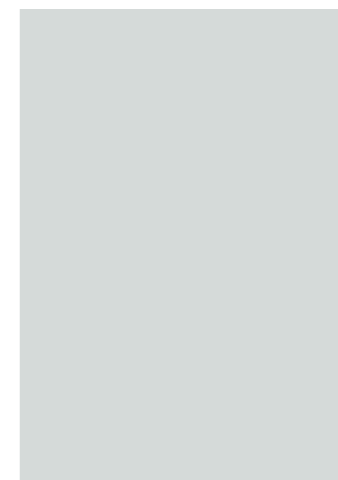


55x55, 4 Controls, 5 Materials,  
Thermostat





**3025; your lifestyle concentrated in only 55x55 mm.**  
Materials, functionalities, finishing are essential values for your life project. Our well being is lead by our choices.



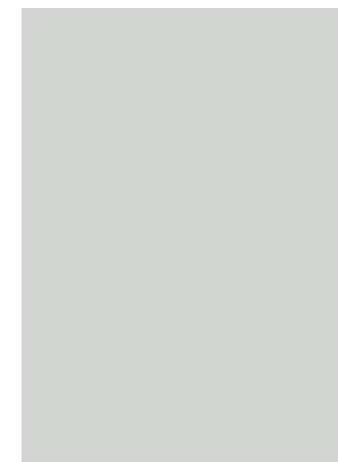
**Clear signalling**  
Easy displays of status (comfort, economy...), levels (dimming, temperature...), scenarios through settable LED bar with color and intensity variation.

**Customization**  
Through icons, material, essences.

**Finishing**  
Woods, brushed aluminium, plastic, glass, corian.



**Temperature setting**  
With an integrated thermostat detecting and regulating a desired temperature.



**Hidden functions**  
To be activated with a long pressure lenght.

**Programmed setting**  
Scenarios, and socket power control.

**Centralized management of loads**  
Shutter, irrigation, gates, external drives.

**Lighting control**  
Dimming, lighting sequences, management of scenarios.

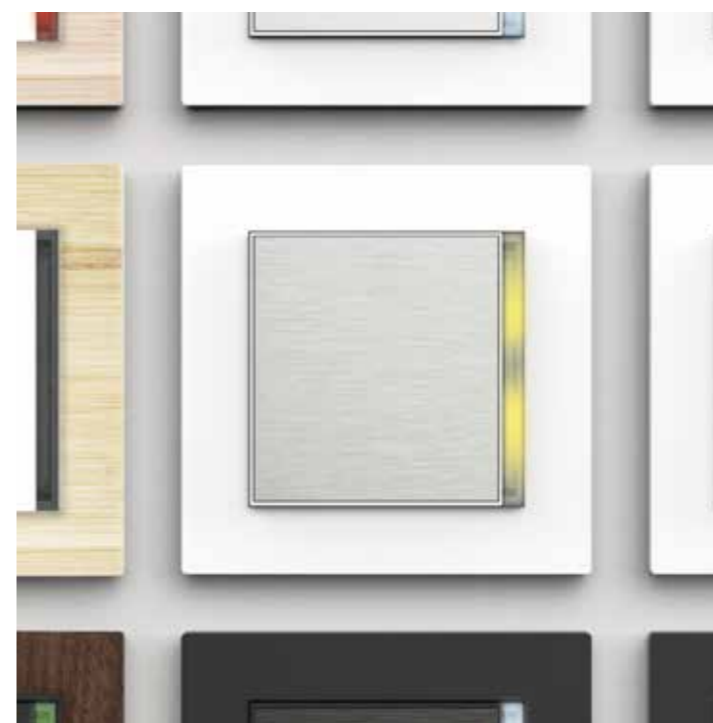


**Thermostat logic**

To manage heating and cooling, functions, zones...

**4 Channels KNX Switch**

with direct bus connection



**Coloured LED level status bar**

To display a level in steps (dimming percentage, variation from setpoint, temperature setting, etc.)

**Installation**

Suitable in 2 module boxes and fits in 55mm systems

**RGB LED bar: color control**

To display a full or dimmed RGB color-over the bar-may be used for status (comfort, economy, etc.), alarms, feedbacks.

**Customization**

Through icons on different materials





**Plastic Collection**

White  
Black

**Metal Collection**

Brushed aluminium black  
Brushed aluminium silver  
Natural aluminium

**Wood Collection**

White ash  
Teak  
Oak  
Amber elm



**55x55 KNX Switch**

4 Channels + Thermostat

The 3025 switch is a 4 gang switch with temperature sensor.

Minimal shape leaves space to noble material surfaces, and one LED Bar easily displays status (as comfort, economy, heating, etc), levels (dimming percentage, setpoint, temperature setting), scenarios, with color and intensity variation. The product is available in different finishings and material including 5 different woods, black - white and brushed aluminium and plastic.

Suitable in the 2 module boxes and fits in 55mm systems with direct connection to the KNX bus.

**Order code**

SB04A01KNX - KNX switch 55x55 White

SB04A03KNX - KNX switch 55x55 Black

**Technical features**

**Dimensions:**

· (H. x W.) 55 x 55 mm

**Supply**

· Through the wire EIB / KNX  
Voltage 21 .. 30V DC  
· Current consumption EIB / KNX <10mA

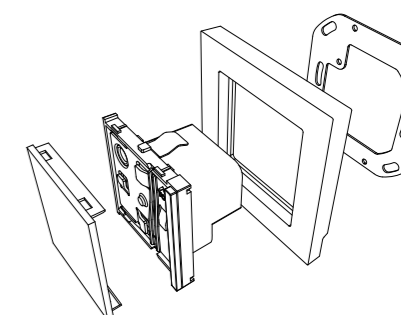
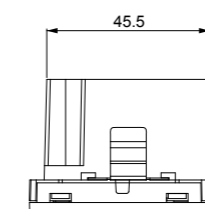
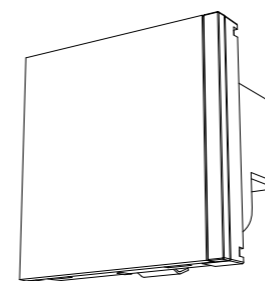
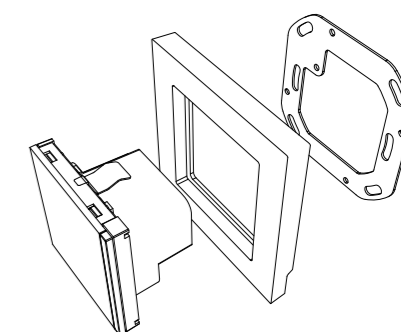
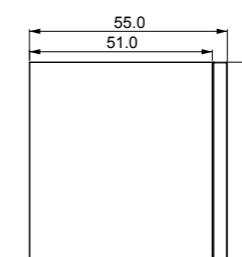
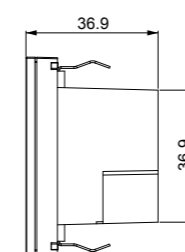
**Features**

· 4 channels  
· 1 embedded temperature sensor  
· 1 input for additional temperature sensor  
· RGB LED bar

**Connections**

· EIB / KNX bus connecting terminal 2 of 0.8 mm

3025





# eelecta®

You, in an homy and environmental world



eelecta is a product range dedicated to democratic, smart and creative design. To the interaction between users and lighting control, energy saving, temperature control, entertainment.

To an efficient use of space. To cost effective solutions for an eco-friendly environment. To private homes, buildings, hospitality.

Design: **Marco Fossati**



HOMEPAD - MINIPAD



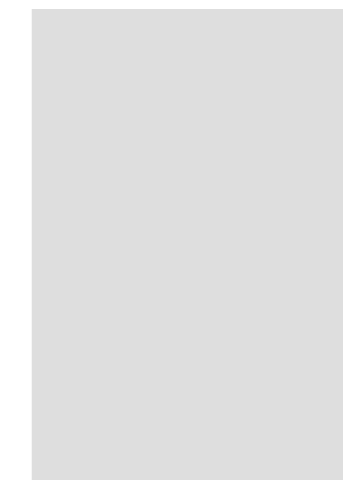
**Stylish yourself**

Eclectic, Creative... in line with your style.



**Differentiated temperature setting**

With an integrated thermostat, detecting and regulating a desired temperature



**Lighting control**

Dimming, lighting sequences, management of scenarios using led technology

**Audio/Video source selection**

Channel, station, local volume and track selection

**Programmed setting of electrical functions**

Scenarios - Absence, party, relax... Socket power control



**Centralized management of valves and loads**

Shutters, irrigation, external drives, gates

**"Hidden" Functions**

To be activated with a long pressure lenght on the Pad

**Event based or occupancy based automation**

A scenario or a given automation can be launched from an external device connected to the HomePad, as for example a traditional occupancy sensor

**Eelecta** is a **design and architectural element** shaped to leave a coloured and **graphical sign in the space.**

## How it works

1st function: every pad drives one or two functions

2nd function: diagonal pressure

3rd and 4th functions: with a long pressure, another function is activated

4 frontal leds associated to a single function



HomePad and MiniPad are available with 4 or 8 channels (functions), with thermostat, 4 inputs interface options and circular functions.



## How to wire



Lateral programmable led for night mode or night light

Integrated **thermostat**

Until 4 inputs devices (standard switches, presence sensor, etc.) can be connected to the HomePad to activate smart functions

Direct **KNX bus connection**

HOMEPAD - MINIPAD

Linear Cover



Wave Cover



HomePad



Order codes are referred to colour palette and has to be completed with functional codes.  
(es. PB40B3DKNX-BL)

MiniPad



Order codes are referred to colour palette and has to be completed with functional codes.  
(es. MB40B3DKNX-BL)



HomePad & MiniPad

Eelecta® HomePad and MiniPad pushbutton range of KNX devices is divided in 5 different models based on the number of switch, input and temperature sensors provided with the device. Product has 4 (8) push buttons which can be configured to manage lights, dimmers, shutters, etc; and 4 inputs (where present) on the backside to interface free potential contacts (for example sensors, traditional buttons, etc.). It has 5 white led in the front side, each led freely configurable by ETS and 2 versions have a temperature sensor included which can be configured as a room thermostat.

Technical features

- Dimensions:**  
**HomePad**  
 • (H. x W.) 110 x 110 mm  
**MiniPad**  
 • (H. x W.) 90 x 90 mm

- Supply**
- Through the wire EIB / KNX
  - Voltage 21 .. 30V DC
  - Current consumption EIB / KNX <10mA  
 Not present for the version conventional (PB40A)

- Input Features**
- Number of Pads: 4 or 8  
 4 for dry contacts (PB40C/MB40C)
  - Maximum cable length: 10 mt = twisted (PB40C/MB40C)

- Output Features**
- 5 white LEDs
- Connections**
- EIB / KNX bus connecting terminal 2 of 0.8 mm<sup>2</sup>

Order code

HomePad

- PB40AxxCON**  
4 CHANNELS CONVENTIONAL
- PB40BxxKNX**  
4 CHANNELS KNX
- PB40CxxKNX**  
4 CHANNELS KNX + 4 INPUTS + TEMPERATURE SENSOR
- PB80AxxKNX**  
8 CHANNELS KNX + TEMPERATURE SENSOR
- PB80CxxKNX -**  
8 CHANNELS KNX + TEMPERATURE SENSOR + CIRCULAR FUNCTIONS

MiniPad

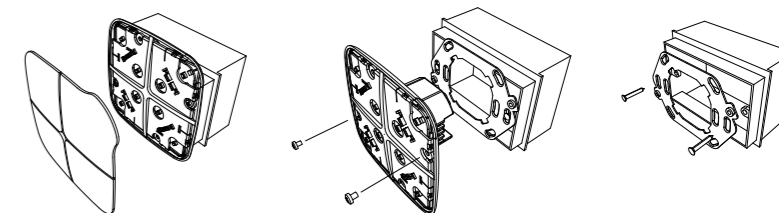
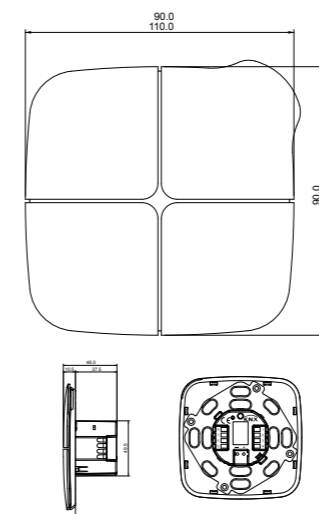
- MB40BxxKNX**  
4 CHANNELS KNX
- MB40CxxKNX**  
4 CHANNELS KNX + 4 INPUTS + TEMPERATURE SENSOR
- MB80AxxKNX**  
8 CHANNELS KNX + TEMPERATURE SENSOR
- MB80CxxKNX -**  
8 CHANNELS KNX + TEMPERATURE SENSOR + CIRCULAR FUNCTIONS

HomePad

Codes	Description
PB40AxxCON	• HomePad 4 CH.
PB40BxxKNX	• HomePad KNX 4 CH.
PB40CxxKNX	• HomePad KNX 4 CH. 4 IN - TS
PB80AxxKNX	• HomePad KNX 8 CH. - TS
PB80CxxKNX	• HomePad KNX 8 CH. - TS - Circular functions

MiniPad

Codes	Description
MB40BxxKNX	• MiniPad KNX 4 CH.
MB40CxxKNX	• MiniPad KNX 4 CH. 4 IN - TS
MB80AxxKNX	• MiniPad KNX 8 CH. - TS
MB80CxxKNX	• MiniPad KNX 8 CH. - TS - Circular functions





**KNX MINISWITCH**  
Suitable for eelecta and GlassPad frames

MINISWITCH



**MiniSwitch KNX**

1 - 2 - 4 Channels

Miniswitch KNX is suitable with Eelecta and GlassPad 's range. The range is composed by 3 models that include 1,2 or 4 channels switches with a dimension of 45x45 mm (frame not included). Product has 1, 2 or 4 frontal led signalling (one for each channel) that can be programmed through ETS. The switches are available in 2 different colours (white or anthracite) and the plates in 3 colours (white, silver e black).

**Technical features**

**Dimensions:**

- (H. x W.) 45 x 45 mm (without frames)

**Supply**

- Through the wire EIB/KNX
- Tension 21..30V DC
- Current Consumption <10mA

**Input Features**

1-2-4

**Output Features**

1-2-4 white led

**Connections**

- EIB/KNX bus connecting terminal 2 of 0.8 mmo

**Order code**

**WB10A30KNX**  
MiniSwitch 1 ch. KNX - Anthracite

**WB10A10KNX**  
MiniSwitch 1 ch. KNX - White

**WB20A30KNX**  
MiniSwitch 2 ch. KNX - Anthracite

**WB20A10KNX**  
MiniSwitch 2 ch. KNX - White

**WB40A30KNX**  
MiniSwitch 4 ch. KNX - Anthracite

**WB40A10KNX**  
MiniSwitch 4 ch. KNX - White

Order codes are referred only to switches without frames.



1 - 2 - 4 channels  
1 - 2 - 4 LED freely configurable

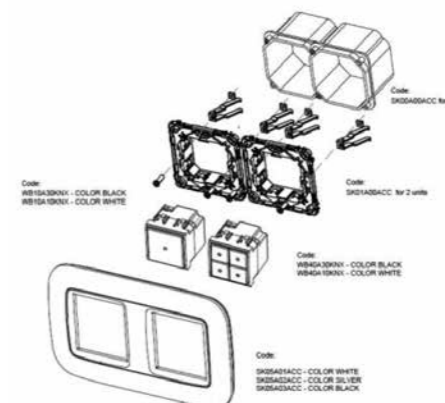
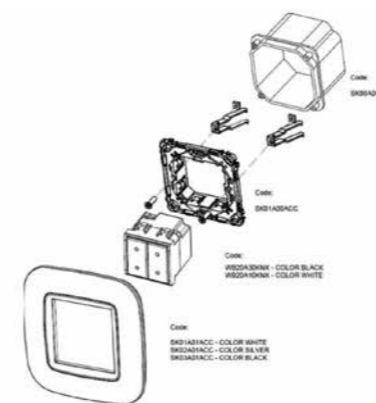


Sockets and frames with different finishes,  
available for 2 module inwall box.



MINISWITCH with glass frame\*

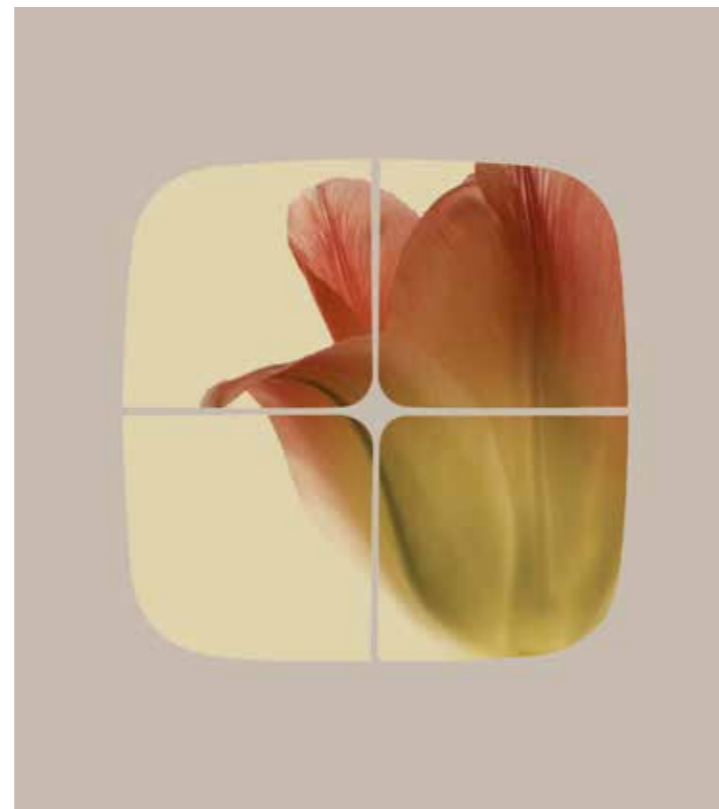
\* GlassPad range pag. 43



CUSTOMIZATION

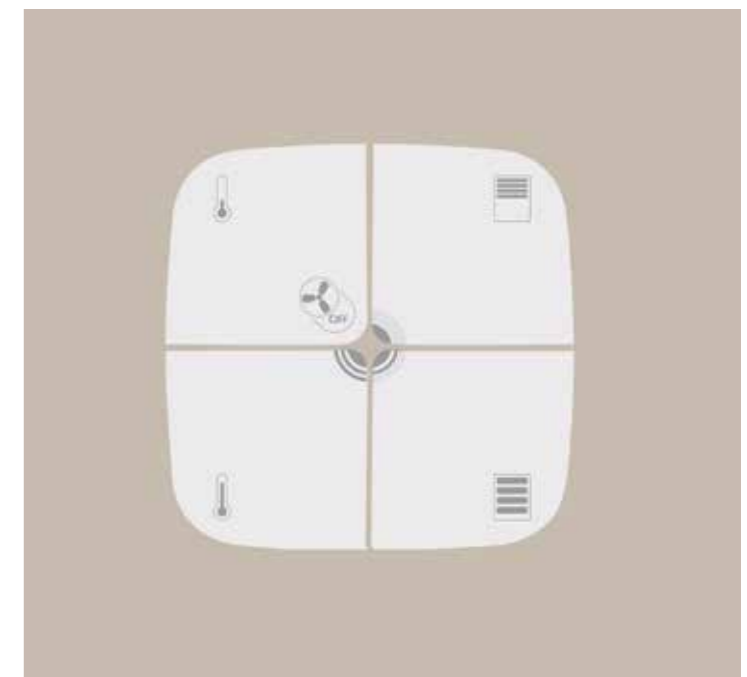
CUSTOMIZED  
ICONS

- More Design
- More Colours and personalized graphics
- Clear and easy function signalling throughout icons and colours



CUSTOMIZED  
ARTWORK

Through the site [www.eelecta.com](http://www.eelecta.com) it is possible to **personalize your HomePads and MiniPads** with your style using photos, graphics or icons at your choice.



# TOUCHPANEL 3,5"



In a small space, in a distinctive shape, we have focused all our attention. Far from outward appearances, we have privileged the essence of an advanced interface, as expected by users

**Personalized:**  
**Screen savers** with  
**photographs, icons, skins,**  
 colour and menu.



**Multimodular installation:**  
 Round or squared 2 modules box, rectangular  
 3 modules box, horizontal or vertical.



TOUCHPANEL 3.5"

**Tarif and load control**

With a clever management of energy related expenditures, energy saving goes along with control and efficiency.

**Temperature control and management local or zone based.**

The touch panel has an integrated thermostat, managing 2 or 4 pipes systems, residential systems, air conditioning. Every temperature zone dedected from HomePads is programmed on an hour, day and week base.

**Colour selection for RGB/DMX lighting on colour palette.**

Coloured light sequences, programmed to show emotional scenarios, design and wellness environments

**Scenarios, shutters, lights, external drives, loads management**

One only control point to detect, program and manage every home function.

**Timers, irrigation, morning clock**

Every event is timed: even your morning wake up.

**Entertainment**

From the touch panel, audio systems and external devices (TV, STEREO, etc.), are managed selecting tracks, volumes, sources, artists.



- Direct KNX bus connection
- 12/30 Volt DC power supply
- Integrated buzzer for alarm signalling
- Frontal led for signalling or night light



## Touch Panel 3,5"

The Eelecta touch panel: powerful control in a distinctive shape. With a coloured display, dimming, status, values, lighting, shutters and timers are controlled and password protected when needed. Using the embedded temperature sensor, chrono or Fan coil controlling functions are managed. DMX coloured Led or lights are controlled with the optional DMX gateway, and load control with automatic cut off of loads is performed with optional power meter. Based on Linux® OS and ETS programmable, the 3.5" touch panel is equipped with a Led indicator and an buzzer for alarm functions. Available in nine different colours.

### Technical features

- 3.5" - TFT color display with 320xRGBx240 (256K colors) with Touch Screen.
- Processor 200MHz 32-bit ARM
- Linux OS
- Adjustable Backlight
- Buzzer
- Programmable with ETS
- 6 display pages, each of them with 8 control elements
- Each element of control can handle up to 4 KNX items
- Wide range of control elements - buttons / sliders / etc ... with management objects 1-bit, 1 byte, 2 bytes...
- Elements-control for shutters, blinds, clock, dimmer, timer ..
- Management page for additional alarm inputs bus.
- Each page or item can be protected by a password.
- Various user interfaces, and layout options are available
- Customization of the product available on request

### Elements EIB / KNX

- Up to 196 communication objects

### System Objects:

- Time / Date
- Brightness
- Temperature
- Alarm

### Order code

#### VS00E10KNX

Eelecta 3.5" coloured KNX Touch Panel Ceramic White

#### VS00E20KNX

Eelecta 3.5" coloured KNX Touch Panel Chromo

#### VS00E30KNX

Eelecta 3.5" coloured KNX Touch Panel Black Matte

#### VS00E60KNX

Eelecta 3.5" coloured KNX Touch Panel PVD Silver

#### VS00E70KNX

Eelecta 3.5" coloured KNX Touch Panel PVD Deep Blue

#### VS00E80KNX

Eelecta 3.5" coloured KNX Touch Panel PVD Old Bronze



- 6 programmable pages with 8 functions
- Settable password protection
- Integrated thermostat
- Supercap battery for clock memory after temporary (24h) black out.



Ceramic white  
VS00E10KNX



Black matte  
VS00E30KNX



Chromo  
VS00E20KNX



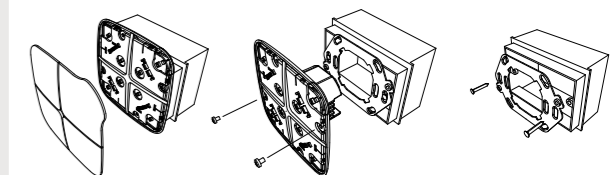
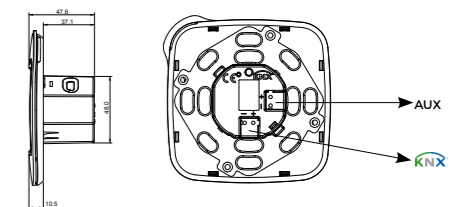
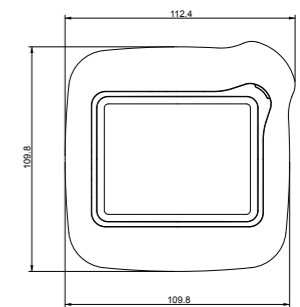
PVD Silver  
VS00E60KNX



PVD Deep Blue  
VS00E70KNX



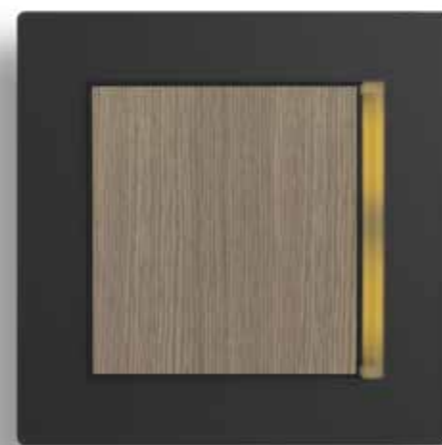
PVD Old Bronze  
VS00E80KNX



Frames  
Sockets

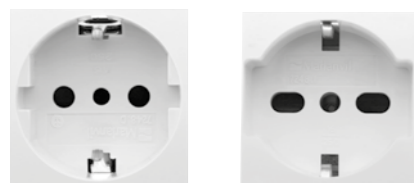


SK01A01ACC Socket plate 2 module - White  
 SK02A01ACC Socket plate 2 module - Chromo  
 SK03A01ACC Socket plate 2 module Black Matte  
 SK03A02ACC Socket plate 2 module PVD Silver  
 SK03A03ACC Socket plate 2 module PVD Deep Blue  
 SK03A04ACC Socket plate 2 module PVD Old Bronze  
 SK04A01ACC Swiss Socket plate 2 module White  
 SK04A02ACC Swiss Socket plate 2 module Chromo  
 SK04A03ACC Swiss Socket plate 2 module Black Matte  
 SK05A01ACC Double Socket plate 2 module White  
 SK05A02ACC Double Socket plate 2 module Chromo  
 SK05A03ACC Double Socket plate 2 module Black Matte  
 SK01A00ACC - black 2 module 60mm. frame  
 EE72X88 - black  
 EE72X88.B - white  
 Blank module

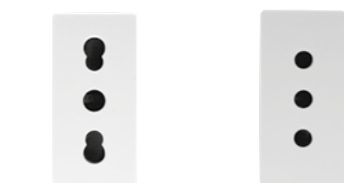


3025  
Z-WAVE Version

Italian  
Standard

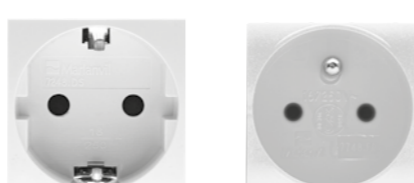


EE72X48.D - black  
 EE72X48.D.B - white  
 Schuko socket with shutter  
 EE72X48.I - black  
 EE72X48.I.B - white  
 Trivalent schuko socket



EE72X79 - black  
 EE72X79.B - white  
 Bivalent sockets with shutter  
 EE72X70 - black  
 EE72X70.B - white  
 Shuttered sockets

International  
Standard



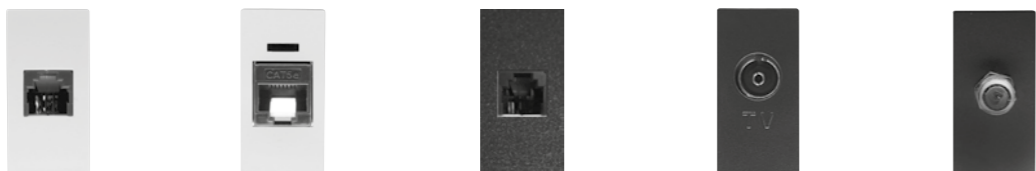
EE72X48.DS - black  
 EE72X48.DS.B - white  
 Schuko socket with shutter  
 EE72X48.FR - black  
 EE72X48.FR.B - white  
 French socket with shutter

Special  
Equipment



EE72X86 - black  
 EE72X86.B - white  
 12V/8Va/buzzer  
 EE72X85 - black  
 EE72X85.B - white  
 230V-50/60hz -12Va/buzzer  
 EE72X93.220 - black  
 EE72X93.220.B - white  
 230V-50/60hz-12Va/bell  
 EE72X02.1 - black  
 EE72X02.1.B - white  
 16A 250V/push botton  
 EE72X06.1 - black  
 EE72X06.1.B - white  
 16A 250V  
 luminous lway switch

Data, TEL, TV  
SAT



EE72X64.4 - black  
 EE72X64.4.B - white  
 6p/4c/telephone RJ11 sockets  
 EE72X64.C5 - black  
 EE71X64.C5.B - white  
 8p/8c-cat 5/telephone and computer sockets  
 EE72X64.C6 - black  
 EE72X64.C6.B - white  
 8p/8c-cat 6/telephone and computer sockets  
 EE72X58 - black  
 EE72X58.B - white  
 TV sockets - direct  
 EE72X58.F - black  
 EE72X58.F.B - white  
 SAT/TV sockets - direct

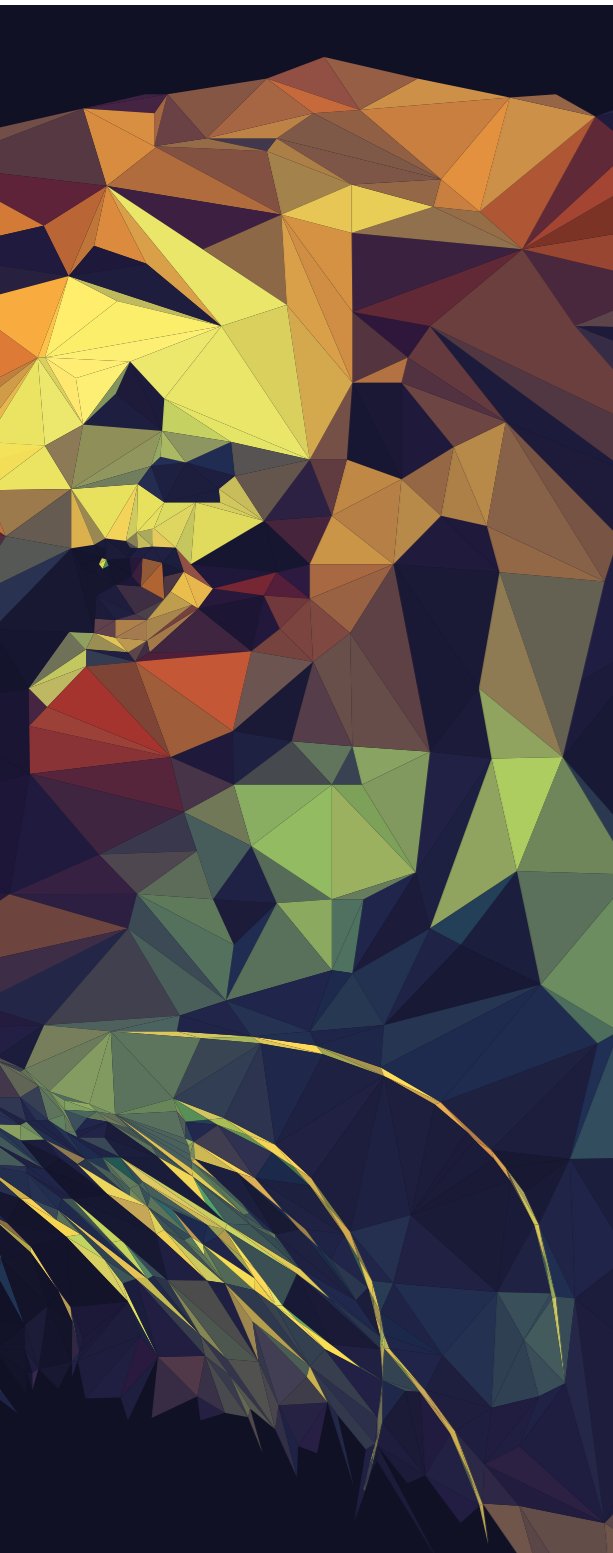
eelecta  
Z-WAVE Version



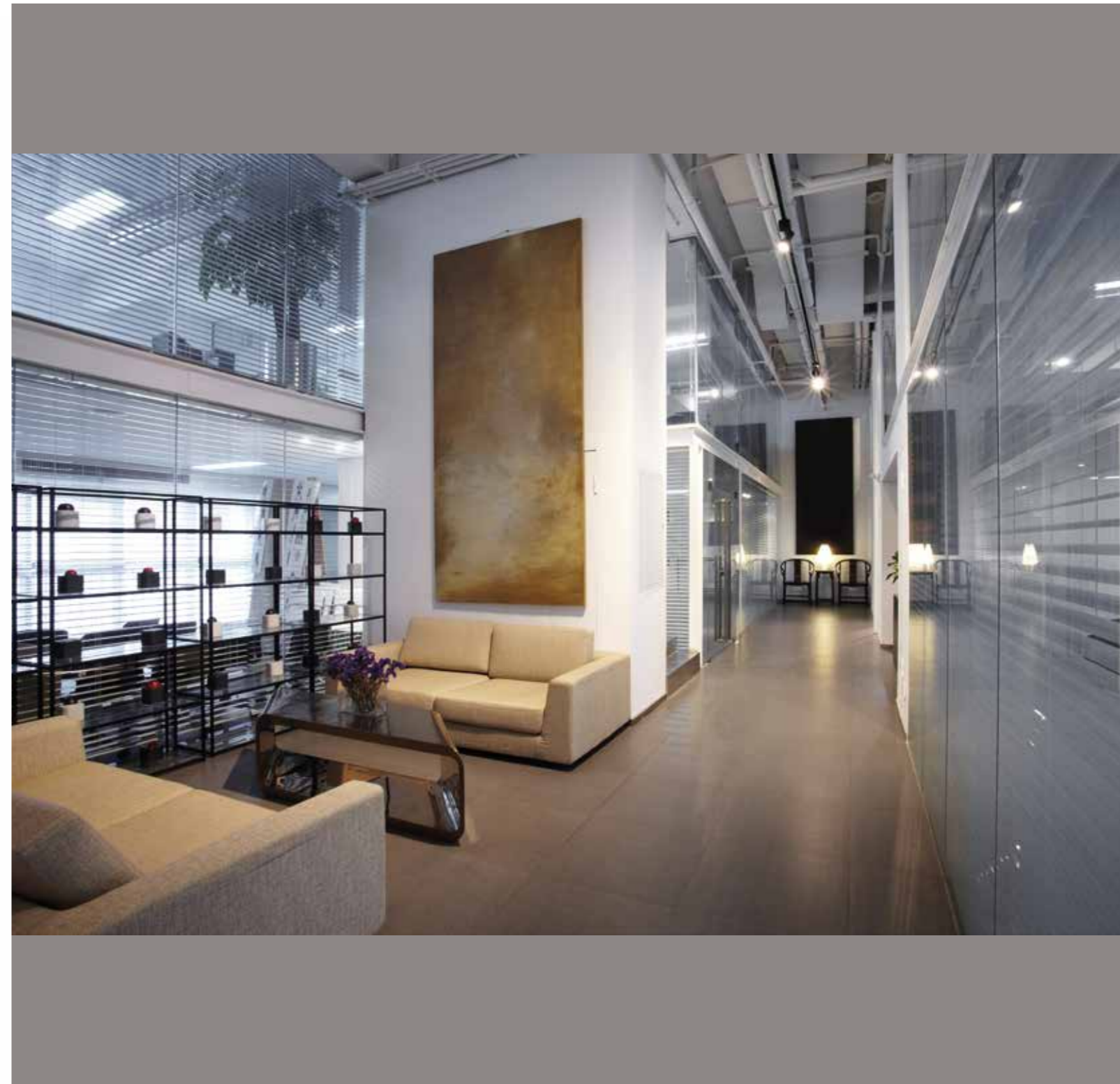
KNX - Z-WAVE  
Interface  
16 channels

# GlassPad

Capacitive Switches & Touch Panel with glass frames



Capacitive KNX Switch  
Touch Panel 3,5" KNX - glass frame  
MiniSwitch 1 - 2 - 4 suitable for the glass frames



**CapacitiveSwitch**



**Features**

The GlassPad is composed by 4 total models, all in KNX, that includes:

- 3 channels on 3 modules / horizontal or vertical
- 6 channels on 3 modules / horizontal or vertical
- 4 channels on 4 modules / horizontal or vertical
- 8 channels on 3 modules / horizontal or vertical

The whole range of products manages:

- Lights
- Dimmers
- Shutters/Blinds
- Scenarios
- Audio

Every products include amber led signaling for every channels. A blue led light surrounds and illuminates behind the GlassPad.



**Simplicity**

A very quick and simple installation is one key feature of GlassPad from Eelectron Spa. The range can be installed in to 3 or 4 modules in wall boxes.

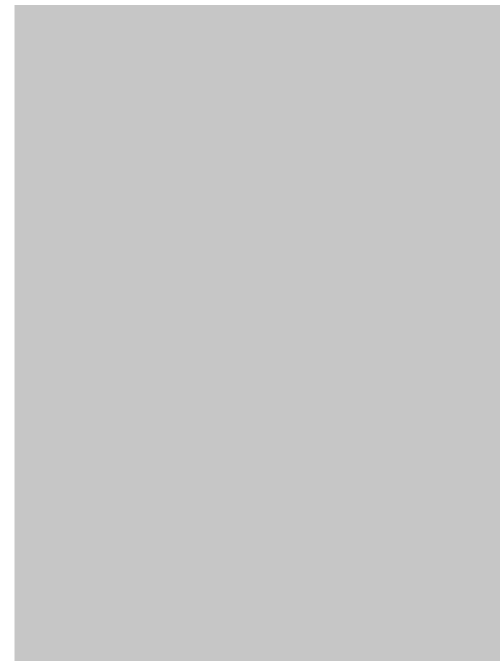


**Safety**

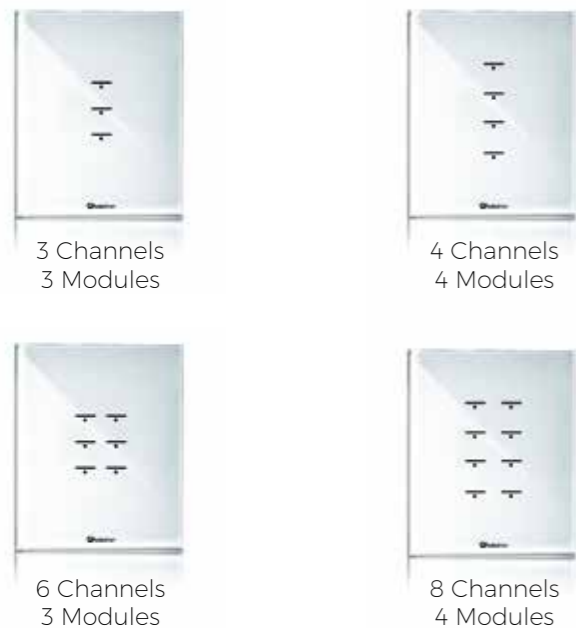
In order to ensure a long lasting product and maximum customer satisfaction, Eelectron Spa only uses premium quality components and materials.

**Colours**

The range is composed by 2 different colors - white or black - and can be customized using icons, texts or logos.



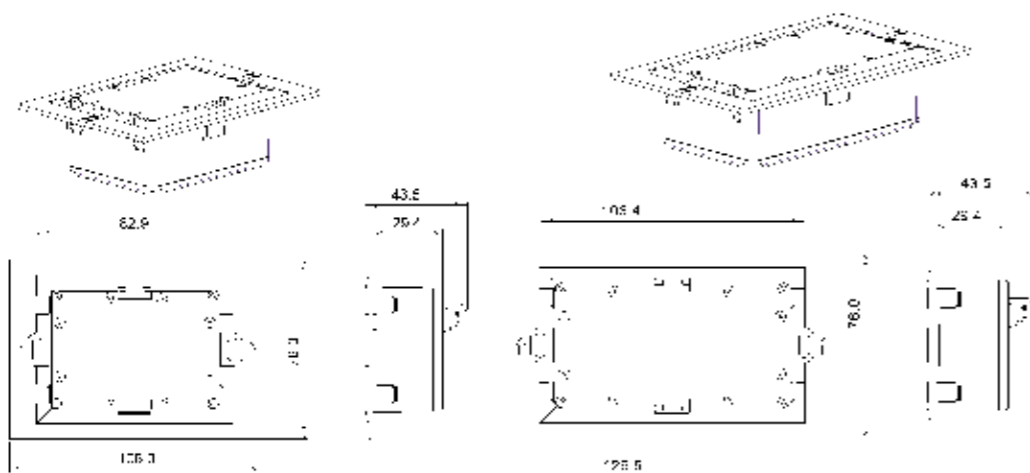
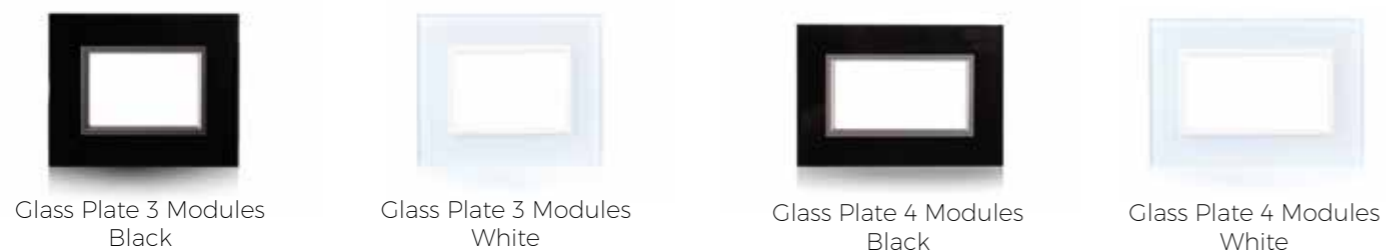
Vertical



Horizontal



Plates



CapacitiveSwitch



**GlassPad KNX**

3-6 channels (3 modules) / 4 - 8 channels (4 modules)

The GlassPad KNX is available in 2 colours (White and Black). This product include 4 different features: 3 and 6 channels on 3 modules inwall box or 4 and 8 channels on 4 modules inwall box. Every products of the range have led signalling for each channels and can be installed vertically or in horizontal. Pression on the switch can be long or shor and it can manage scenarios or sequences. The customizaiton of glass colour , textes and icons for residential and building field is available on demand. The products if fully programmable with ETS.

**Order code**

- GP03A03KNX**  
Capacitive KNX switch - 3 channels - 3 Modules
- GP06A03KNX**  
Capacitive KNX switch - 6 channels - 3 Modules
- GP04A04KNX**  
Capacitive KNX switch - 4 channels - 4 Modules
- GP08A04KNX**  
Capacitive KNX switch - 8 channels - 4 Modules
- GL03H03ACC-1**  
Capacitive glass switch - 3 channels - 3 Modules  
Horizontal - white
- GL03H03ACC-3**  
Capacitive glass switch - 3 channels - 3 Modules  
Horizontal - black
- GL03V03ACC-1**  
Capacitive glass switch - 3 channels - 3 Modules -  
Vertical - white
- GL03V03ACC-3**  
Capacitive glass switch - 3 channels - 3 Modules -  
Vertical - black
- GL06H03ACC-1**  
Capacitive glass switch - 6 channels - 3 Modules  
Horizontal - white
- GL06H03ACC-3**  
Capacitive glass switch - 6 channels - 4 Modules  
Horizontal - black
- GL06V03ACC-1**  
Capacitive glass switch - 6 channels - 3 Modules  
Vertical - white
- GL06V03ACC-3**  
Capacitive glass switch - 6 channels - 3 Modules  
Vertical - Black
- GL04H04ACC-1**  
Capacitive glass switch - 4 channels - 4 Modules  
Horizontal - white
- GL04H04ACC-3**  
Capacitive glass switch - 4 channels - 4 Modules  
Horizontal - black

- GL04V04ACC-1**  
Capacitive glass switch - 4 channels - 4 Modules  
Vertical - white
- GL04V04ACC-3**  
Capacitive glass switch - 4 channels - 4 Modules  
Vertical - black
- GL08H04ACC-1**  
Capacitive glass switch - 8 channels - 4 Modules  
Horizontal - white
- GL08H04ACC-3**  
Capacitive glass switch - 8 channels - 4 Modules  
Horizontal - black
- GL08V04ACC-1**  
Capacitive glass switch - 8 channels - 4 Modules  
Vertical - white
- GL08V04ACC-3**  
Capacitive glass switch - 8 channels - 4 Modules  
Vertical - Black
- GT00A03ACC-1**  
Glass Plate - 3 Modules - White
- GT00A03ACC-3**  
Glass Plate - 3 Modules - Black
- GT00A04ACC-1**  
Glass Plate - 4 Modules - White
- GT00A04ACC-3**  
Glass Plate - 4 Modules - Black
- GT00X03ACC**  
3 Module - Support frame for glass plate
- GT00X04ACC**  
4 Module - Support frame for glass plate
- GP00X03ACC**  
Flush - Mount adapter box - module 3
- GP00X04ACC**  
Flush - Mount adapter box - module 4
- GP00X00ACC**  
Glass suction tool

**Technical features**

- Dimensions**  
· (H. x W.)140 x 96 mm or 120 x 96 mm
- Mounting**  
· Inwall mounting on squared or round boxes
- Connections**  
· EIB/KNX bus connecting terminal 2 of 0.8 mmo

- Supply**  
· Through the wire EIB/KNX  
· Tension 21..30V DC  
· Current Consumption <10mA
- Input Features**  
· Inputs: 3,4,6,8
- Output Features**  
· Number: 3,4,6,8 white led

TouchPanel 3,5"



## Touch Panel 3,5"

Glass Frame

The touch panel: powerful control in a distinctive shape. With a coloured display, dimming, status, values, lighting, shutters and timers are controlled and password protected when needed. Using the embedded temperature sensor, chrono or fan coil controlling functions are managed. DMX coloured Led or lights are controlled with the optional DMX gateway, and load control with automatic cut off of loads is performed with optional power meter. Based on Linux® OS and ETS programmable, the 3,5" touch panel is equipped with a Led indicator and an buzzer for alarm functions. Available in two different colours.

### Technical features

- 3,5"- TFT color display with 320xRGBx240 (256K colors) with Touch Screen.
- Processor 200MHz 32-bit ARM
- Linux OS
- Adjustable Backlight
- Buzzer
- Programmable with ETS
- 6 display pages, each of them with 8 control elements
- Each element of control can handle up to 4 KNX items
- Wide range of control elements - buttons / sliders / etc ... with management objects 1-bit, 1 byte, 2 bytes...
- Elements-control for shutters, blinds, clock, dimmer, timer ..
- Management page for additional alarm inputs bus.
- Each page or item can be protected by a password.
- Various user interfaces, and layout options are available
- Customization of the product available on request

#### Elements EIB / KNX

- Up to 196 communication objects

#### System Objects:

- Time / Date
- Brightness
- Temperature
- Alarm

### Order code

**VS00G10KNX**  
3,5" coloured KNX Touch Panel with Glass Frame White

**VS00G30KNX**  
3,5" coloured KNX Touch Panel with Glass Frame Black

Color Range



VS00G10KNX



VS00G30KNX

# GlassPad

## KNX® Thermostat



### Features

- Temperature and fan coil speed status display
- ETS settable control elements for temperature management

Soon Available

### MiniSwitch

KNX® MINISWITCH  
Suitable for **eelecta** and **GlassPad** frames



### MiniSwitch KNX®

1 - 2 - 4 Channels

Miniswitch KNX is suitable with Eelecta and GlassPad 's range. The range is composed by 3 models that include 1,2 or 4 channels switches with a dimension of 45x45 mm (frame not included). Product has 1, 2 or 4 frontal led signalling (one for each channel) that can be programmed through ETS. The switches are available in 2 different colours (white or anthracite) and the plates in 3 colours (white, silver e black).

#### Technical features

##### Dimensions

• (H. x W.) 45 x 45 mm (without frames)

##### Supply

• Through the wire EIB/KNX  
• Tension 21..30V DC  
• Current Consumption <10mA

##### Input Features

1-2-4

##### Output Features

1-2-4 white led

##### Connections

• EIB/KNX bus connecting terminal 2 of 0.8 mmo

#### Order code

##### WB10A30KNX

MiniSwitch 1 ch. KNX - Anthracite

##### WB10A10KNX

MiniSwitch 1 ch. KNX - White

##### WB20A30KNX

MiniSwitch 2 ch. KNX - Anthracite

##### WB20A10KNX

MiniSwitch 2 ch. KNX - White

##### WB40A30KNX

MiniSwitch 4 ch. KNX - Anthracite

##### WB40A10KNX

MiniSwitch 4 ch. KNX - White

Order codes are referred only to switches without frames.



# DockingStation

Mobile Apps



KNX control for Apple IOS and Android devices



**DOCKING STATION** - iPad 4 / Air / Air 2

eDock can hold and charge your iPad, iPad mini or iPhone. Without any visible cables you can power your eDock by eCharge, our inwall power supply.



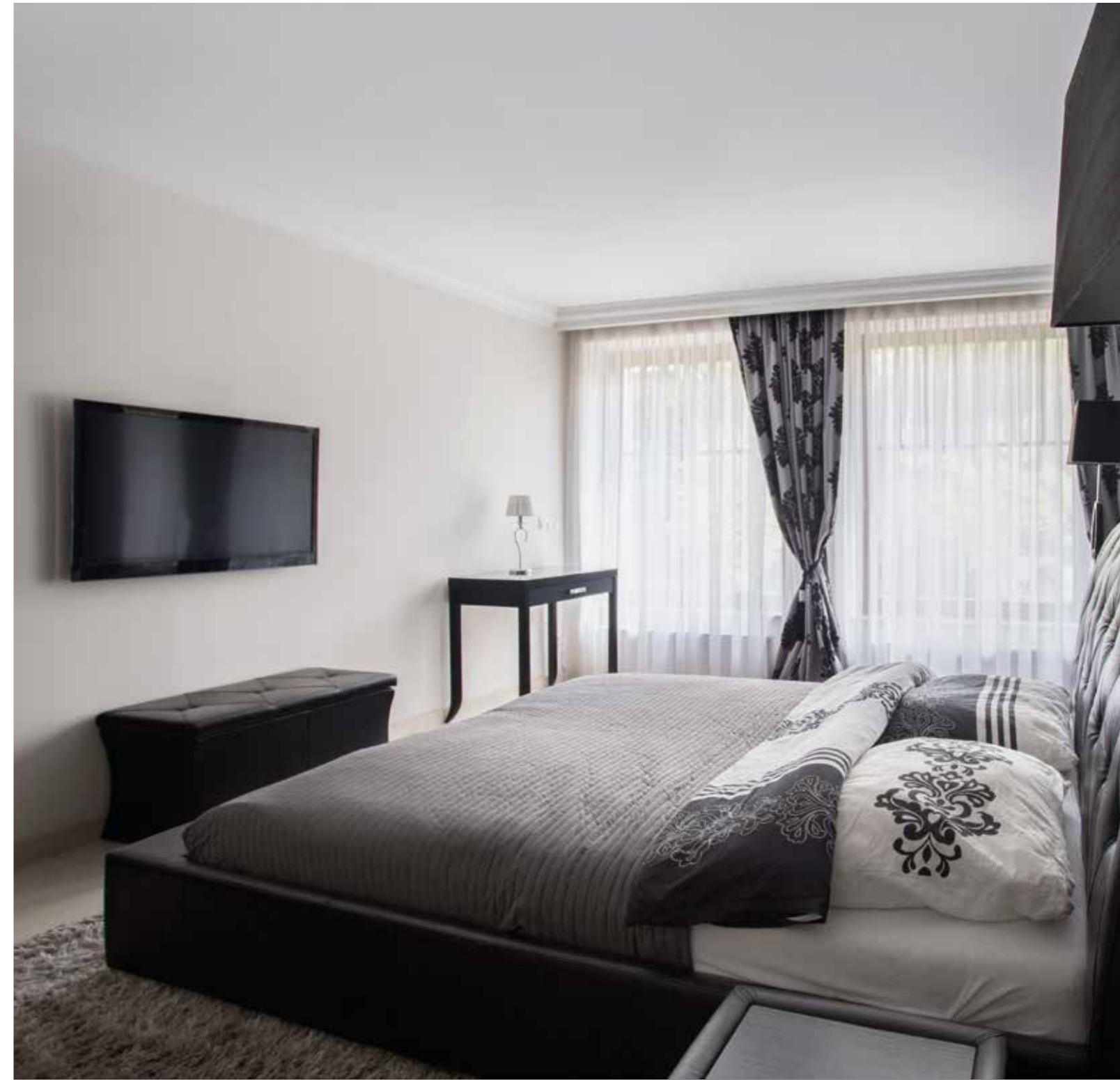
# Synchronicity

Synchronise events - Synchronise colours



## HotelManagement

More than 25.000 rooms installed worldwide.



Synchronicity is a range of products working on **KNX** standard, dedicated to hotel's guest room management. All the range is for both 2 modules round and squared inwall boxes or for 3 modules boxes.

The solution is integrated with eSuite software management tool and products for temperature and HVAC control, lighting and load management (input and output modules, digital/analog mixed modules, dimmers and shutters modules), visualization and control (touch panels, PDA), communication (gateways vs other protocols)



## GRMS

Since our everyday living requires energy saving and cost control

**Architects, designers and planners, follow our conception of home evolution and building automation.**

Environmental needs are changing the standards of project design, with performing and challenging goals that require efforts to deliver to your clients long lasting economy and comfort values. Following this effort, we have developed multifunctional applications starting from **KNX** technology: an open standard, programmed from a unique software tool, able to join independent systems in an interworking logic.

Used by many customers worldwide, our solutions combine aesthetic design, high performances and friendly usability for end users and professionals.



- Single or multiple lighting control
- Heating and air conditioning
- Blind and shutters control
- User dependent management of areas and functions
- Temporized and advanced scenarios
- Access Control
- Audio/Video system integration
- Alarms and Video Surveillance
- Intercom Audio and Audio/Video system

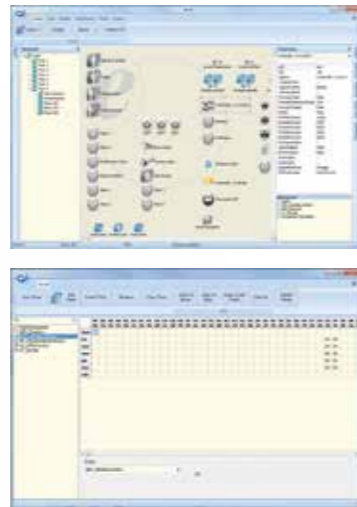
Since we want to live in an homy and environmental world



What are we delivering to our clients?

<b>Integration</b>	HVAC System BMS System Billing (Fidelio, etc.) Lights (DMX, Dali.)
<b>Room and Building Automation</b>	Access Control Energy Saving Temperature Control Lighting Control Automation Shutter Control Services External Areas Control Common Areas Management Special Functions (music/co2/energy metering etc.)
<b>Supervision</b>	Automation Check in /Check out Supervision Room and Common Areas Control Pre-Heating Functions Alarm Log Transit Log Room to Clean

**Software** dedicated to supervision of **KNX** installation, hotel management and access control, alarms and utilities. **Modular, Flexible, Evolved.**

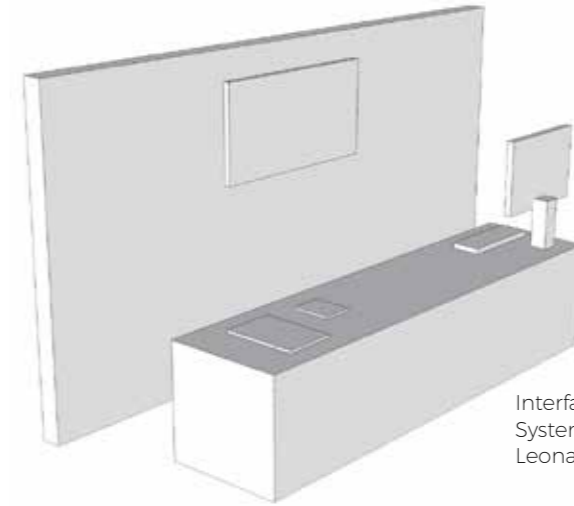


**eSuite SW Management**

**GRMS**

Reception

HVAC  
BMS  
↓  
Mitsubishi  
Daikin  
Toshiba  
Sanyo  
Tac  
Siemens  
ecc.  
  
Gateway for bidirectional communication

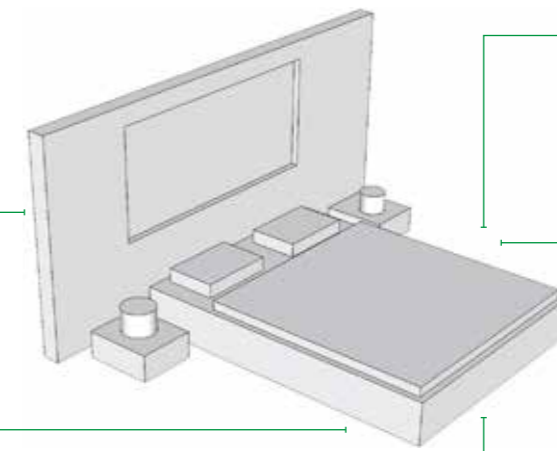


Interface to management System (Micros Fidelio, Leonardo, ecc)



Standard Room

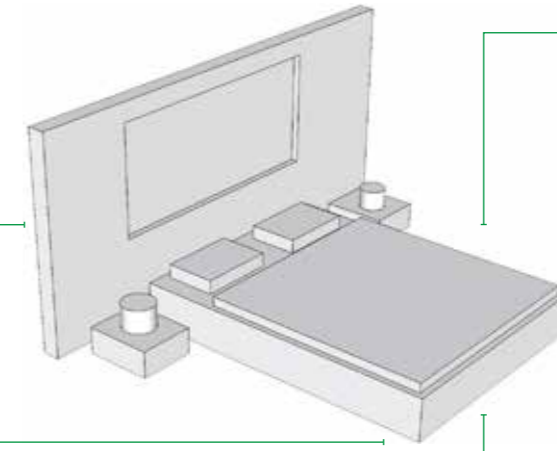
**Transponder Holder**  
· Bathroom Alarm  
· Reset Alarm  
· Light ON/OFF  
· Loads ON/OFF  
  
**Transponder Reader**  
· Door Strike  
· M.U.R.  
· Door Lock control  
· Courtesy Light



**Thermostat**  
· Tv Socket Control  
· Window contact  
  
**4IN/4OUT Universal**  
· Minibar control  
· Room light  
· 3 speed Fan coil  
  
**4IN/4OUT LED**  
· Do Not Disturb  
· Service Call

Suite

**Transponder Holder**  
· Bathroom Alarm  
· Reset Alarm  
· Light ON/OFF  
· Loads ON/OFF  
  
**Transponder Reader**  
· Door Contact  
· Room charge status  
· Door Lock control  
· Courtesy Light



**Bed Side Panels**  
  
**8IN/8OUT**  
· Lights  
· Minibar contact  
· Shutters management  
· 3 Speed Fan coil  
· 2/4 Pipes system  
· Hot/Cold Valves  
· TV Socket control

PLEXIGLASS RANGE



Transponder reader Silver **TR22A09KNX**



Transponder holder Silver **TH22A09KNX**



Transponder reader Black **TR22A19KNX**



Transponder holder Black **TH22A19KNX**



Transponder reader White **TR22A29KNX**



Transponder holder White **TH22A29KNX**



Thermostat HVAC Silver **TM11C09KNX**



Thermostat HVAC Hotel Silver **TM10D09KNX**



Thermostat HVAC Black **TM11C19KNX**



Thermostat HVAC Hotel Black **TM10D19KNX**

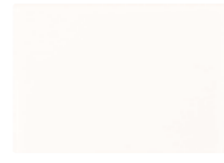


Thermostat HVAC White **TM11C29KNX**



Thermostat HVAC Hotel White **TM10D29KNX**

GLASS RANGE



Glass **VT12** Oyster White



Glass **VT15** Black



Glass **VT23** Iron



Glass **VT24** Gold

COLORS	TM11C/TM10D	TR22A	TH22A
Silver	VT00A01ACC	VT00A02ACC	VT00A03ACC
Black	VT00A11ACC	VT00A12ACC	VT00A13ACC
White	VT00A21ACC	VT00A22ACC	VT00A23ACC

Glass cover for the codes:

**TM11CxxKNX**

**TM10DxxKNX**

**TR22AxxKNX**

**TH22AxxKNX**

For colour order number to insert in pos. 00

See the section glass colour range

CUSTOMIZATION

Customization on demand is possible for the frames (glass or plexi) for the codes TR22A and TH22A (es. Hotel Logo, number of room..).



Icons



Hotel Logo



Room number

GRMS



## Thermostat HVAC

1 IN / 1 OUT - BASE

The TM11CxxKNX thermostat is an EIB / KNX device for controlling temperature applications in Home & Building Automation, and is characterized by the possibility of being installed on backboxes 2 or 3 modules rectangular or round. It is available in a range of colours for the plexiglass cover and glass cover (to be ordered separately), which allow you to match the thermostat to all types of environments.

The thermostat features a large LCD for displaying the current temperature or the setpoint, fan speed, summer / winter mode and the 4 operating states. The unit is equipped with a physical ON / OFF input which can be used to interface a sensor for a window or some other devices, and an output relay to control the speed 1 of the fan coil or even a zone valve. The thermostat can also be configured for being used in combination with a switching actuator to control the three fan coil speeds. Control elements available for the user include two buttons for increasing or decreasing the setpoint temperature (current setting), and two buttons for increasing or decreasing the fan speed.

### Technical features

**Dimensions**

· (H. x W. x D.) 78 x 110 x 39,8 mm

**Mounting**

· Inwall mounting on squared or round boxes

**Connections**

· EIB / KNX bus connecting terminal max 0.8 mm<sup>2</sup>

· Input screw clamp, conductor section max. 1,5 mm<sup>2</sup>

· Output relay screw clamp, conductor section max. 1,5 mm<sup>2</sup>

### Order code

**TM11C01KNX**

Thermostat HVAC 1 IN - 1 OUT - Light gray

**TM11C11KNX**

Thermostat HVAC 1 IN - 1 OUT - Anthracite

**TM11C21KNX**

Thermostat HVAC 1 IN - 1 OUT - White

Codes referred without glass or plexi frame.

**Supply**

· From KNX bus 21.32 V DC SELV

**Input Features**

· 1 ON/OFF dry contact

· Max length of connection: 10mt twisted cables

· Scanning power In with locked contact =

1mA for channel

**Output Features**

· Capacity of the relay contact 48 Vac, 1A ACI



## Thermostat Hotel

HVAC 1 IN - BASE

The TM10DxxKNX thermostat is an EIB/KNX wall mounting device designed for HVAC applications in Home and Building installations (i.e. offices, hospitals, hotels, private houses, etc.). The device is equipped with one binary input (potential free contact) that can be used, for instance, to start/stop the HVAC units when a window has been opened (or closed) or for a general purpose usage.

### Technical features

**Dimensions**

· (H. x W. x D.) 78 x 110 x 39,8 mm

**Mounting**

· Inwall mounting on squared or round boxes

**Connections**

· EIB / KNX bus connecting terminal max 0.8 mm<sup>2</sup>

· Input screw clamp, conductor section max. 1,5 mm<sup>2</sup>

### Order code

**TM10D01KNX**

Thermostat Hotel HVAC 1 IN - Light Gray

**TM10D11KNX**

Thermostat Hotel HVAC 1 IN - Black

**TM10D21KNX**

Thermostat Hotel HVAC 1 IN - White

Codes referred without glass or plexi frame.

**Supply**

· From KNX bus 21.32 V DC SELV

**Input Features**

· 1 ON/OFF dry contact

· Max length of connection: 10mt twisted cables

· Scanning power In with locked contact =

1mA for channel



# Transponder Reader

2 IN / 2 OUT - BASE

The Transponder Reader TR22AxxKNX is an EIB/KNX wall mounting device suitable to access control applications. This device can be used in any kind of building (Hotel, Hospital, Offices, Parking, etc..) where the access control application is required. The device is equipped with two binary inputs (dry contacts) that can be used, for instance, to control the door status or other signals coming from external switches/contacts (i.e. windows, bathroom emergency alarms, etc..). The transponder reader is equipped also with two output relays which can be used for general purposes, typically to open the door or turning on the courtesy light inside the room. The product provides on the front side four LEDs in order to enlighten 4 icons to display the following states (e.g. in case of Hotel management): · Access Allowed/Not Allowed · SOS request · Service Call (clean room, etc..) · Client status ("Busy room" or "Do not Disturb") The LEDs and icons can be configured in association with other alarms or events. The transponder reader can reads cards or keys at a maximum distance of 30mm from the front side.

## Order code

### TR22A01KNX

Transponder reader 2 IN - 2 OUT Light gray

### TR22A11KNX

Transponder reader 2 IN - 2 OUT Anthracite

### TR22A21KNX

Transponder reader 2 IN - 2 OUT White

Codes referred without glass or plexi frame.

## Technical features

### Dimensions

· (H. x W. x D.) 78 x 110 x 37 mm

### Mounting

· Inwall mounting on squared or round boxes

### Connections

- EIB / KNX bus connecting terminal max 0.8 mm<sup>2</sup>
- Input and output screw clamps, conductor section max. 1.5 mm<sup>2</sup>

### Supply

- From bus KNX 21.30 Vcc SELV
- Supplementary 12-24V AC/DC ± 10% 150mA Max

### Control elements

- 1 red LED for ETS programming
- Frontal signalling
- 1 LED : Access denied /allowed
- 3 LED : freely configurable

### Input Features

- 2 type ON/OFF clean contacts
- Max lenght of connection cable 10m

### Output Features

- Number 2 with capacity of the contact relay: 24 VAC/DC 2 A AC1

Transformers for Access Control

Codes	DIN	Supply	Output
PS00T10TRA	2 Mod	230 VAC	12/24 VAC 10VA
PS00T24TRA	3 Mod	230 VAC	12/24 VAC 24VA
PS00T40TRA	3 Mod	230 VAC	12/24 VAC 40VA



GRMS

# Transponder Reader

2 IN / 2 OUT

With Bell

The Transponder Reader TR32Ax9KNX is an EIB/KNX wall mounting device suitable to access control applications. This device can be used in any kind of building (Hotel, Hospital, Offices, Parking, etc..) where the access control application is required.

The device is equipped with two binary inputs (dry contacts) that can be used, for instance, to control the door status or other signals coming from external switches/contacts (i.e. windows, bathroom emergency alarms, etc..) and with one frontal button freely configurable by ETS. The transponder reader is equipped also with two output relays which can be used for general purposes, typically to open the door or turning on the courtesy light inside the room. The product provides on the front side four LEDs in order to enlighten 4 icons to display the following states (e.g. in case of Hotel management): · Access Allowed/Not Allowed · SOS request · Service Call (clean room, etc..) · Client status ("Busy room" or "Do not Disturb") The LEDs and icons can be configured in association with other alarms or events. The transponder reader can read cards or keys at a maximum distance of 30mm from the front side.

## Order code

### TR32A09KNX

Transponder reader with bell 2 IN - 2 OUT - Silver

### TR32A19KNX

Transponder reader with bell 2 IN - 2 OUT - Black

### TR32A29KNX

Transponder reader with bell 2 IN - 2 OUT - White

## Technical features

### Dimensions

· (H. x W. X D.) 78 x 110 x 37 mm

### Mounting

· Inwall mounting on squared or round boxes

### Connections

- EIB / KNX bus connecting terminal max 0.8 mm<sup>2</sup>
- Input and output screw terminals, wire section max. 1.5 mm<sup>2</sup>

### Supply

- KNX bus 21 .. 30 VDC SELV
- Additional 12-24V AC / DC ± 10%, 150mA max

### Features

- 22 binary inputs for dry contacts
- Max length of connection cable 10m
- 2 relays, contact rating 24 VAC / DC, 2 A AC1

### Control elements

- 1 red LED for ETS programming
- Frontal signaling
- 1 LED : Access denied /allowed
- 3 LED's : freely configurable

### Inputs specifications

- Scanning power In with locked contact = 1mA per channel

### Output Features

- Number 2 with capacity of the contact relay: 24Vac 2 A AC1
- 1 button for ETS programming

Transformers for Access Control

Codes	DIN	Supply	Output
PS00T10TRA	2 Mod	230 VAC	12/24 VAC 10VA
PS00T24TRA	3 Mod	230 VAC	12/24 VAC 24VA
PS00T40TRA	3 Mod	230 VAC	12/24 VAC 40VA



## Transponder Reader

2 IN / 2 OUT - BASE  
External

The Transponder Reader TR22AxxKNX is an EIB/KNX wall mounting device suitable to access control applications. This device can be used in any kind of building (Hotel, Hospital, Offices, Parking, etc..) where the access control application is required. The device is equipped with two binary inputs (dry contacts) that can be used, for instance, to control the door status or other signals coming from external switches/contacts (i.e. windows, bathroom emergency alarms, etc..). The transponder reader is equipped also with two output relays which can be used for general purposes, typically to open the door or turning on the courtesy light inside the room. The product provides on the front side four LEDs in order to enlighten 4 icons to display the following states (e.g. in case of Hotel management): · Access Allowed/Not Allowed · SOS request · Service Call (clean room, etc..) · Client status ("Busy room" or "Do not Disturb") The LEDs and icons can be configured in association with other alarms or events. The transponder reader can read cards or keys at a maximum distance of 30mm from the front side. IP Protection 42.

### Technical features

#### Dimensions

- (H x W x D) 78 x 110 x 37 mm

#### Mounting

- Inwall mounting on squared or round boxes Ø60mm

#### Connections

- EIB / KNX bus connecting terminal max 0.8 mm<sup>2</sup>
- Input and output screw clamps, conductor section max. 1.5 mm<sup>2</sup>

#### Input Features

- 1 red LED for ETS programming
- Frontal signalling
- 1 LED : Access denied /allowed
- 3 LED : freely configurable

### Order code

#### TR22A11KNX-EXT

External Transponder Reader 2 IN - 2 OUT

Codes referred without glass or plexi frame.



## Transponder Holder

2 IN / 2 OUT - BASE

The Transponder Holder TH22AxxKNX is an EIB/KNX wall mounting device suitable to access control applications. It can be used for detecting and monitoring the presence of guests or service staff in a room. The device is equipped with two binary inputs (dry contacts) that can be used, for instance, to control the door status or other signals coming from external switches/contacts (i.e. windows, bathroom emergency alarms, etc..). On the front of the transponder holder there is a blue light LED that is useful to help the guest to insert card in the device. Removing the card, after a programmable time, all the room services are switched off to preserve energy.

### Technical features

#### Dimensions

- (H x W x D) 78 x 110 x 37 mm

#### Mounting

- Inwall mounting on squared or round boxes Ø60mm

#### Connections

- EIB / KNX bus connecting terminal max 0.8 mm<sup>2</sup>
- Input and output screw clamps, conductor section max. 1.5 mm<sup>2</sup>

#### Supply

- KNX bus 21 .. 30 VDC SELV
- Additional 12-24V AC / DC ± 10%, 150mA max

### Order code

#### TH22A01KNX

Transponder Holder 2 IN - 2 OUT - Light Gray

#### TH22A11KNX

Transponder Holder 2 IN - 2 OUT - Anthracit

#### TH22A21KNX

Transponder Holder 2 IN - 2 OUT - White

Codes referred without glass or plexi frame.

#### Input Specifications

- 2 ON/OFF dry contacts
- Max lenght of connection cable 10mt

#### Output Features

- 2 contact relays: 24VAC/DC 2 A AC1

#### Control Elements

- 1 blue guiding light
- 1 button for ETS programming



## Transponder Encoder

The encoder is a device that writes / reads RFID tag. The device is surface mounting in on a 3 modules special box, equipped with a USB interface that also provide the power supply. The device is provided with a driver to allow writing and reading functionality.

### Order code

#### TE00A01KNX

Transponder Encoder

### Technical features

#### Dimensions

- H x W x D: 87 x 142 x 107 mm

#### Mounting

- Placed on desk

#### Connection

- USB type A connector

#### Power

- From the PC's USB port: 5V - 150mA

#### Communication

- USB 1.1

#### Warnings

- Blue light showing running process

Transformers for Access Control - for transponder readers and holder

Codes	DIN	Supply	Output
PS00T10TRA	2 Mod	230 VAC	12/24 VAC 10VA
PS00T24TRA	3 Mod	230 VAC	12/24 VAC 24VA
PS00T40TRA	3 Mod	230 VAC	12/24 VAC 40VA



## Plexiglass Plate

for EXTERNAL TRANSPONDER READER 2 IN - 2 OUT

Plexiglass Plate for the code TR22A11KNX-EXT

### Order code

#### PX15A14ACC

Plexiglass plate for External Transponder Reader 2IN - 2 OUT - Black

#### PX10A24ACC

Plexiglass plate for External Transponder Reader 2IN - 2 OUT - White



## Transponder Cards and Key Holder

### Order code

#### CD00A02TRC

Transponder Cards Blank - 50 pcs

#### CD00A03TRC

Transponder Cards Blank - 250 pcs

#### CD00B02TRC

Transponder Keyholder - 50 pcs

#### Dimensions and characteristics of the Card

- Complies with ISO 7810 (85.6 x 54 x 0.76 mm)
- Possibility of serigraphy on both sides (on request)
- Dual technology version (RFID and magnetic stripe on request)

#### Dimensions and characteristics of Key chains

- Dimensions and Material: ABS 38 x 34 x 6 mm
- Frequency: 125KHz-
- Temperature: from -10°C to 50°C



# Esuite Software

ESuite software is dedicated for hotel management, for the supervision of KNX environments, access control and alarms. The software can be interfaced with BMS. Client remote management can be done via Internet or Ethernet. The package is available with Embedded PC including 2 clients.

## Order code

### SW00D04KNX

eSuite interface to management systems

### SW01D05KNX

Embedded PC with eSuite

up to 10 rooms - complete - 2 clients

### SW02D05KNX

Embedded PC with eSuite

up to 25 rooms - complete - 2 clients

### SW03D05KNX

Embedded PC with eSuite

up to 40 rooms - complete - 2 clients

### SW04D05KNX

Embedded PC with eSuite

up to 100 rooms - complete - 2 clients

### SW05D05KNX

Embedded PC with eSuite

up to 150 rooms - complete - 2 clients

### SW06D05KNX

Embedded PC with eSuite

up to 200 rooms - complete - 2 clients

### SW07D05KNX

Upgrade rack PC

### SW00D03KNX

eSuite additional client

### SW00D04KNX

eSuite interface to management systems

## Technical features

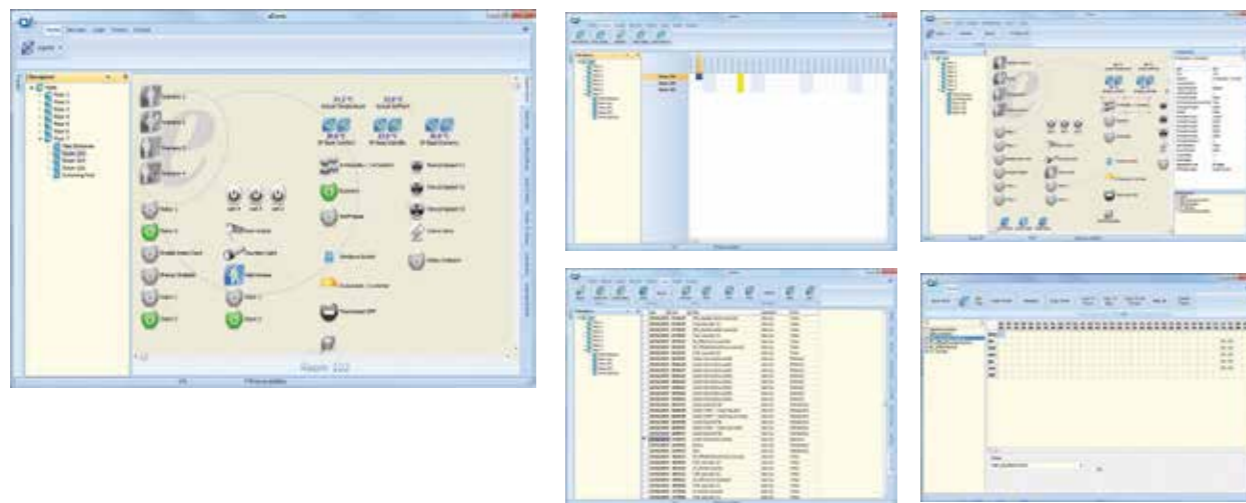
- Number of rooms / common area according to installed license.
- Client workstation according to installed license
- Profiling privileges unlimited
- Using KNX functions of timing events available

### Generation KNX groups of objects available

- Automatically import object available from ETS KNX

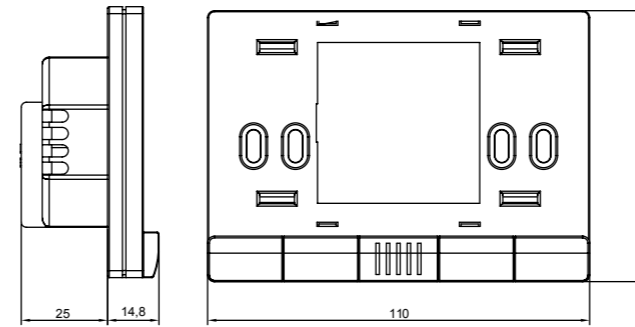
### Automatically back up data available

- Use filters to search event logs available
- Export data into CSV files / XLS / DOC available
- Connection to the bus using Falcon library
- PMS connection available

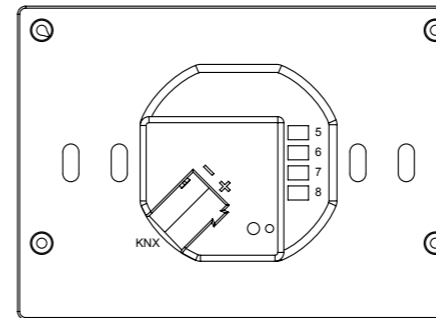


## GRMS

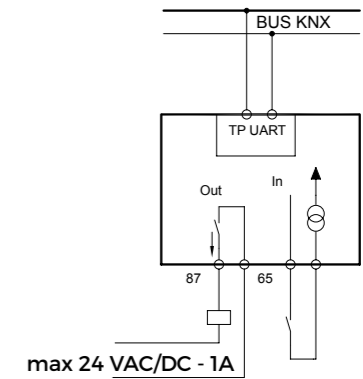
### THERMOSTAT



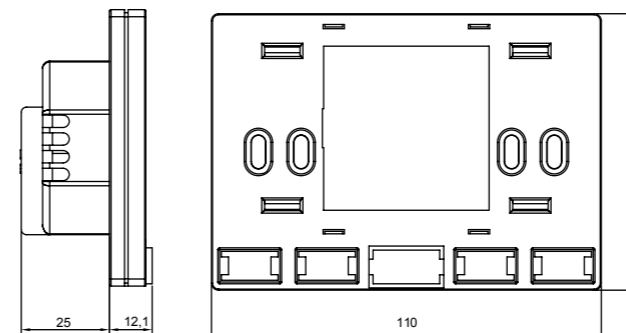
### TM11C01KNX - TM11C11KNX - TM11C21KNX



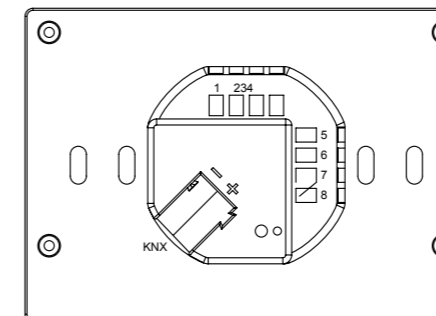
### TM11C01KNX - TM11C11KNX - TM11C21KNX TM10D01KNX - TM10D11KNX - TM10D21KNX



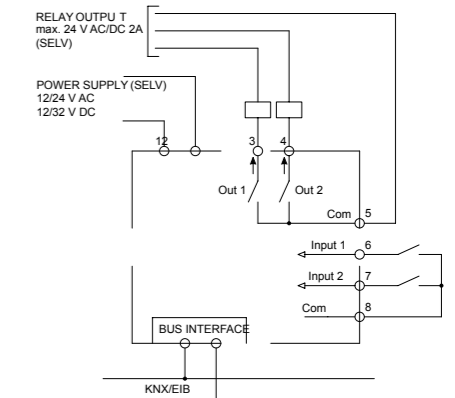
### TRANSPONDER READER & HOLDER



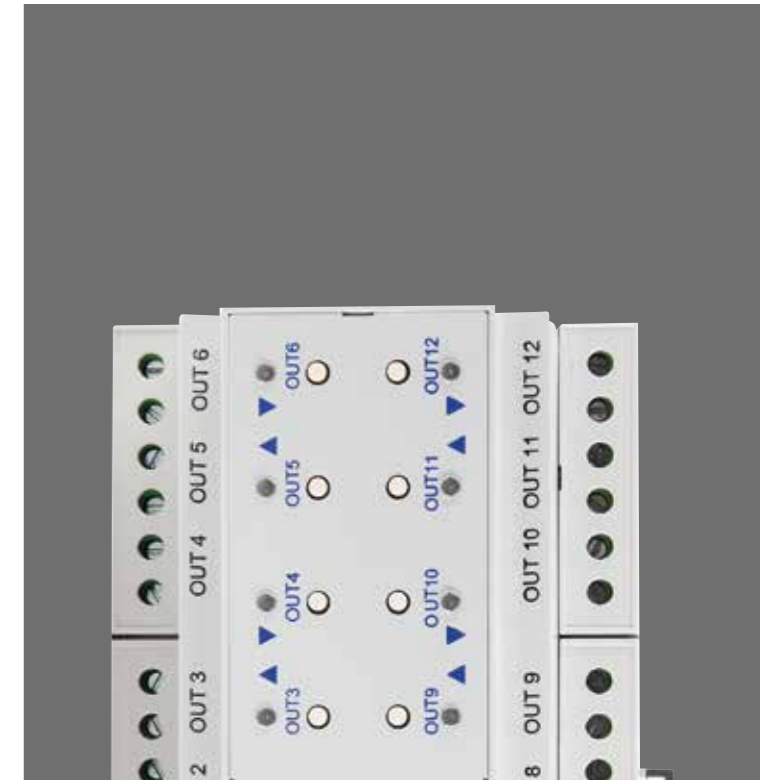
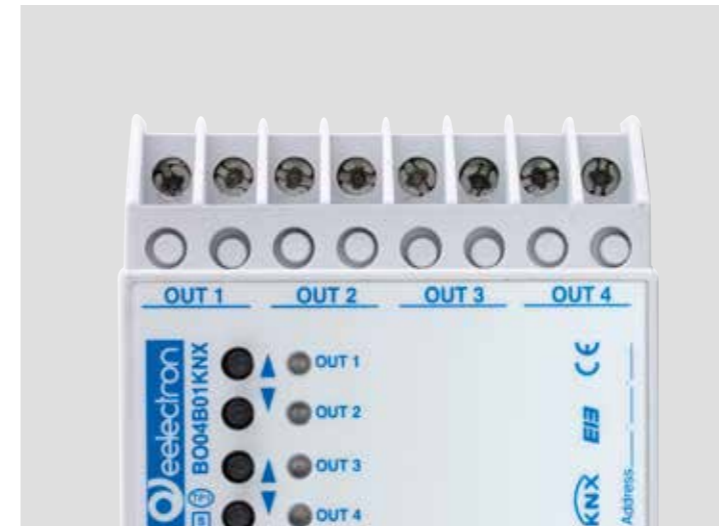
### TR22A01KNX - TR22A11KNX - TR22A21KNX TH22A01KNX - TH22A11KNX - TH22A21KNX



### TR22A01KNX - TR22A11KNX - TR22A21KNX TH22A01KNX - TH22A11KNX - TH22A21KNX



# Actuators



- Light Management
- Climate Control
- Dimming
- Shutters Management
- Zwave
- DALI
- DMX
- Sensors and Metering
- System Components
- Interfaces

Actuators, Dimmers, Presence Sensors , System components

Universal Actuators 4 - 8 - 12 with manual control



# NEW DIMMER **KNX**

## DM04A01KNX

- Dimmer 4 channels - 250W
- 8 DIN module
- LED lighting control from 0W
- Unique phase mode



## DL04A01KNX

- Dimmer 4 channels RGB - White
- 4 DIN module
- Control voltage
- Until 30W for channel
- Supply 24V
- Complete switch off relè



## Push Button Interface

2 IN - 2 OUT LED / 4 IN - 4 OUT LED

The device is dedicated to interface dry contacts with 2 or 4 input channels, such as sensors, conventional push buttons and 2 or 4 low voltage/current output channels to drive LED signal indicator lamps. The inputs can be configured for the most common applications: actuators, dimmers, shutters and scenarios.

### Order code

- IO22C02KNX**  
Push Button Interface 2 IN - 2 OUT LED
- IO44C02KNX**  
Push Button Interface 4 IN - 4 OUT LED

### Technical features

#### Dimensions

- (H. x W. x D.) 43 x 36 x 17 mm

#### Mounting

- Fits in all standard installation boxes: 2-3 modules rectangular and round

#### Connections

- Bus line: 2 bus connection terminals, max wire section: 0,8mm<sup>2</sup>
- Inputs and outputs: 12-pin plug connector wired with 0,2 mm<sup>2</sup>

#### Supply

- From the KNX bus 21..30 VDC SELV power consumption <10mA

#### Specific Inputs

- 2 or 4 digital inputs for clean contacts
- Maximum length 10 meters twisted cables

#### Specific Outputs

- 2 / 4 outputs for driving LED - Max 0,5 mA each



**RC01A01IRC**  
IRC Device



**IR00A01ACC**  
IRX Cabling



**TS01A01ACC**  
Temperature probe



**TS01B01ACC**  
External temperature probe

## Inwall Actuator

3 IN / 2 OUT

IO32D01KNX module includes: 2 digital inputs 1 analog input 2 relay outputs (bistable). Digital inputs are intended to be connected to free potential contacts and can interface sensors, conventional push buttons, etc; they can be used for on/off controls, dimming, shutter control, scene recall and control, sequences of 3 objects. Analog input, can manage one temperature probe (with On/Off threshold) or one thermostats to control heating and cooling equipments, valves, 2 and 4 pipes fan coils; etc.. Analog input, alternatively to the temperature sensor, can manage a Infrared Receiver (IRX) in order to forward to the bus up to 8 functions coming from a Infrared Remote Control (IRC) with on/off commands, scenes, sequences of 2 objects, dimmers and shutters. Outputs include switching functions with timed delays, stair-case functions, scene recall, lock or logic functions.

### Order code

- IO32D01KNX**  
Inwall Actuator 3 IN / 2 OUT

### Technical features

#### Dimensions

- (H. x W.) 52 x 28 mm

#### Supply

- Via bus EIB/KNX cable
- Voltage 21..30V DC
- Current Consumption EIB/KNX <10mA

#### Digital Input

- For free potential contacts (dry contacts)
- Max. length of Connecting Cable: ≤ 30 m (twisted cable)
- Voltage Scanning: 3,3 V DC (internally Generated)
- AWC24 cables with 1800 mm length

#### Analog Input for temperature probe

- For NTC temperature probe Eelectron code
- TS01A01ACC (range from -20°C to +100°C)
- TS01B01ACC (range from -50°C to +60°C)
- Max. length of Connecting Cable: ≤ 20 m (twisted cable)

#### Analog Input for Infrared Receiver (IRX)

- These accessories must be used:
- IR01A01ACC (IRX with cable and connector)
- RC80A01IRC (IR remote control 8 channels)

#### Outputs

- 10 A cos 1 - 230 Vac
- Max capacitance @230V: 21µF 5.000 cycles
- Incandescent lamps max load: 1500W 50.000 cycles
- Fluorescent lamps max load: 6 x18W 25.000 cycles
- Halogen lamps max load: 500W 50.000 cycles
- Gas discharge lamps max load: 200W 25.000 cycles

## Analog / Digital Interface

8 INPUT - 4 LED OUTPUT MODULE

AD84A02KNX module includes 4 digital inputs to interface dry contacts and 4 analog or digital inputs for dry contacts or temperature sensors and 4 led outputs. Digital inputs can interface sensors, traditional buttons, etc. 4 low voltage/current outputs channels to drive LED signal indicator lamps. Inputs 5 to 8, set as analog inputs, enable up to 2 temperature probes (with On/Off threshold) and 2 thermostats to control heating and cooling systems valves, 2 and 4 pipes fan coils.



**TS01A01ACC**  
Temperature probe



**TS01B01ACC**  
External temperature probe

### Technical features

#### Dimensions

· (H. x W. x D.) 43 x 36 x 24 mm

#### 12 Channels Configurable as:

- [01 ÷ 04] 4 digital inputs (dry contacts)
- [05 ÷ 08] 4 digital or analog inputs (for clean contacts or temperature sensors)
- [09 ÷ 12] 4 digital outputs (outputs for LED)

#### Digital Input - Features

- 8 channels [01 ÷ 08] for dry contacts
- Maximum length 30 m twisted wires - input [01 ÷ 04]
- Maximum length 10m of twisted wires - inputs [05 ÷ 08]
- Wired with 0,2 mm<sup>2</sup> - 18 cm length - inputs [01 ÷ 04]
- Connection through 6-pin screw terminal - inputs [05 ÷ 08]
- Blinds and shutters control
- Scenarios

### Order code

#### AD84A02KNX

Push Button Interface 8 Input - 4 Led Output Module

#### Analog Inputs - Features

- 4 Channels [05 ÷ 08] Configurable as temperature sensor with Eelectron NTC sensor (cod.TS01A01ACC & TS01B01ACC)
- 2 Channels [05 ÷ 06] Configurable as thermostat

#### Digital Outputs - Features

- 4 outputs for driving LED 0.3 mA / channel
- Use with LED Eelectron (Code LD00A01ACC / LD00A11ACC)
- Wired with 0,2 mm<sup>2</sup> 18 WNG - inputs [01÷ 04]

#### Heating and cooling modes

- Controls with HVAC mode or setpoint
- Setpoint modification through KNX bus
- 2 points ON / OFF and PWM control algorithm
- 3-speeds fancoil control
- OFF mode on window open detection

## Universal Actuator

4 / 8 OUT

The DIN RAIL 4 and 8 Output Modules BO04A01KNX - BO08A01KNX are EIB/KNX DIN rail mounting devices useful to interface loads (e.g. lamps) for any kind of application.

Devices have 4 or 8 outputs on board that can be configured:

- Each output can be configured independently for load control
- Each output can be configured independently for ON/ OFF or continuous switching (PWM) for Electric valves (solenoid actuators)
- Outputs can be configured in pairs for the management of roller shutters and blinds; up to 2 channels (Channels A to B)
- Outputs can be configured in pairs for management Of Motor Reductors or for solenoid valves with 3-point control or for ventilating grid; up to 2 or 4 channels (Channels A to B)
- Fan Coil Actuator for 2/4 pipes systems for Heating / Cooling with 3 speed motors (relays from 1 to 5) only for the model BO08A01KNX. Devices are intended to be installed on DIN rail.

### Technical features

#### Dimensions

· (H. x W. x D.) 90 x 72 x 58 mm

#### Mounting

· 4 DIN modules

#### Connections

· Outputs: 2 screw connectors for channel max 4mm2

#### Supply

· From KNX bus 21.30 V DC SELV

#### Relay Output Features

- Resistive loads: max 16 A
- Incandescent Lamps: max 10 A
- Motors and motor reductors : max 10 A
- Fluorescent lighting transformer electronic: max 4 A
- Fluorescent lamps: (max 140 µF) max 3 A (700W)

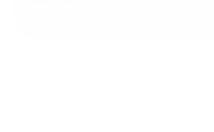
### Order code

#### BO04A01KNX

Universal Actuator 4 OUT

#### BO08A01KNX

Universal Actuator 8 OUT



## Universal Actuator

4 - 8 - 12 OUT - MANUAL CONTROL

BOxxB01KNX are Din Rail 4-8-12 outputs 16 A actuators, they can be used to control up to 4-8 or 12 independent loads / lights , control up to 2-4 or 6 independent blind / roller shutters with mechanical end position. This device is intended to be installed on DIN rail.

### Technical features

#### Dimensions

- (H. x W. x D.) : 90 x 72 x 58mm – BO04B / BO08B
- (H. x W. x D.) : 90 x 159 x 58mm – BO12B

#### Mounting

- 4 DIN modules – BO04B / BO08B
- 9 DIN modules – BO12B

#### Connections

· Outputs: 2 screw connectors for channel max 4mm2

#### Supply

· From KNX bus 21.32 V DC SELV

### Order code

#### BO04B01KNX

Universal Actuator 4 OUT – Manual control

#### BO08B01KNX

Universal Actuator 8 OUT – Manual control

#### BO12B01KNX

Universal Actuator 12 OUT – Manual control

#### Relay Output Features

- Resistive loads: max 16 A
- Incandescent Lamps: max 10 A
- Motors & motoreductor: max 10 A
- Fluorescent light transformer electronic: max 4 A
- Fluorescent Lamps: (max 140 µF) max 3A (700W)

## Universal Actuator

4 IN / 4 OUT

The DIN RAIL 4 Input / 4 Output Module IO44B02KNX-C is an EIB/KNX DIN rail mounting device useful to interface controls (e.g. push buttons) or loads (e.g. lamps) for any kind of applications.

The device is equipped with 4 binary inputs (dry contacts) and 4 relay outputs suitable for capacitive loads (-C load). Inputs can be configured for conventional switching devices, e.g. push buttons, switches, floating contacts, for switching functions with pulse edge evaluation (e.g. rising or falling edge, toggle, etc...). Inputs can be configured as output channels to drive LED for synoptic monitoring panels. Inputs can be used for switching, dimming, shutter control, scenarios; outputs include switching functions, scenarios, logic functions.

Outputs can act as interlocked channels; this function may be used to drive fan coils with 2-pipes / 3 speeds or 4-pipes / 2 speeds. Devices are intended to be installed on DIN rail.

### Technical features

#### Dimensions

· (H. x W. x D.) 90 x 72 x 58 mm

#### Mounting

· 4 DIN modules

#### Connections

- Bus line, bus connecting terminal, wire max section 0,8mm<sup>2</sup>
- Outputs: 2 screw connectors for channel max section 4 mm<sup>2</sup>
- Inputs: 3 connectors every 2 inputs, max. section 4 mm<sup>2</sup>

#### Supply

· From KNX Bus 21.30 V DC SELV

#### Input Features

- 4 binary inputs for dry contacts
- Max length 30m twisted cables

#### Relay Output Features

- Resistive loads: 16 A Max
- Incandescent lamps: 10 A Max
- Motors and motor reductors: 10 A Max
- Fluorescent lighting transformer. Electronic: 6 A Max
- Fluorescent lamps (Max. 140 µ) (700W Max)



## Universal Actuator

8 IN / 8 OUT

The DIN RAIL 8 Input / 8 Output Module IO88B02KNX-C is an EIB/KNX DIN rail mounting device useful to interface dry contacts (e.g. push buttons) or loads (e.g. lamps) for any kind of applications. The device is equipped with 8 binary inputs (dry contacts) and 8 relay outputs. Inputs can be connected to conventional switching devices, e.g. push buttons, switches, floating contacts, for switching functions with pulse edge evaluation (e.g. rising or falling edge, toggle, etc...). Inputs can be configured as output channels to drive LEDs for synoptic monitoring panels.

Inputs can be used for switching, dimming, shutters control, scenarios; outputs include switching function, scenarios, logic functions.

Relays from 5 to 8 are equipped with manual control and can be switched manually.

Device is intended to be installed on DIN rail.

### Order code

**IO88B02KNX-C**  
Universal Actuator 8 IN - 8 OUT C-Load

### Technical features

#### Dimensions

· (H. x W. x D.): 90 x 72 x 58 mm

#### Mounting

· 4 DIN modules

#### Connections

· Bus Line: 2 terminals for bus connection, Max section 0,8mm<sup>2</sup>  
· Outputs: 2 screw terminals for channel max. section 4 mm<sup>2</sup>  
· Inputs: 3 screw terminals every 2 inputs, max. section 4 mm<sup>2</sup>

#### Supply

· From Bus KNX 21..30 V DC SELV

#### Input Features

· 8 binary inputs for potential-free contacts  
· Max length 30m twisted cables

#### Relay Output Features

· Resistive load: 16 A Max  
· Incandescent lamps: 10 A Max  
· Motors and motor reducers: 10 A Max  
· Fluorescent lighting transformer. Electronic: 6 A Max  
· Fluorescent lamps (Max. 140 μ) 700W Max



## Universal Dimmer

1 CHANNEL 700 W - MASTER AND SLAVE

DM01D01KNX is a KNX power dimmer 1-channel acting as a Master Dimmer to which you can connect up to two Slave Modules (cod. DM01D01ACC) with identical characteristics to the Master power dimmer and connected to it by a local two wires bus. Dimmer DM01D01KNX can be used in one of the following configurations: Trailing Edge: The dimmer turns off part of the final part of the waveform of the input voltage resulting in reduced lamp output. This load regulation is used for resistive or capacitive loads (typically halogen lamps with electronic transformer or incandescent lamps). Leading Edge: The dimmer turns off part of the initial part of the waveform of the input voltage, resulting in reduced lamp output. This load regulation is used for inductive loads (typically ferromagnetic transformers or toroidal). The three channels are independent and can therefore operate on different phases of the same three phase systems respecting the limit of 230Vac between phase and neutral.

### Order code

**DM01D01KNX**  
Universal Dimmer 1 Channel 700 W Master

**DM01D01ACC**  
Universal Dimmer 1 Channel 700 W Slave

### Technical features

#### Dimensions

· (H. x W. x D.) 90 x 72 x 58 mm

#### Mounting

· 4 DIN modules

#### Connections

· Power supply & load cable: max 2,5 mm<sup>2</sup> – AWG 14  
· Local bus length: max 2m between 2 modules

#### Supply

· From KNX bus 21..32 V DC SELV  
· AC: 230V 50/60 Hz

#### Output Features

· Incandescent or halogen lamps: 20-700 W  
· Ferromagnetic transformer 20-700 VA  
· Electronic transformer: 20-700 VA  
· Dimmable LED Lamps: Max 160 W  
· Compact fluorescent lamps (ESL/CFL): Max 160 W



## Multifunction Actuator

4 IN / 4 OUT - 8 IN / 8 OUT

The products IO44E01KNX & IO88E01KNX are an EIB/KNX DIN rail mounting devices useful to interface commands (e.g. push buttons) or loads (e.g. lamps) for any kind of applications. The devices are equipped with 4 or 8 binary inputs (clean contacts) and 4 or 8 binary relay outputs. Inputs can be connected to conventional switching devices, e.g. push buttons, switches, floating contacts, for switching functions with pulse edge evaluation (e.g. rising or falling edge, toggle...). Inputs can be configured with ETS SW, as output to drive Leds. Inputs can be used to for on/off commands, dimming, shutter control, scenarios; outputs include switching function, scenarios and control logic function.

### Order code

**IO44E01KNX**  
Multifunction Actuator 4 IN / 4 OUT

**IO88E01KNX**  
Multifunction Actuator 8 IN / 8 OUT

### Technical features

#### Dimensions

· (H. x W. x D.): 90 x 72 x 58 mm

#### Mounting

· 4 DIN modules

#### Connections

· Bus Line: 2 terminals for bus connection, Max section 0,8mm<sup>2</sup>  
· Outputs: 2 screw terminals for channel max. section 4 mm<sup>2</sup>  
· Inputs: 3 screw terminals every 2 inputs, max. section 4 mm<sup>2</sup>

#### Supply

· From Bus KNX 21..30 V DC SELV

#### Input Features

· 4 or 8 binary inputs for dry contacts  
· Max length 30m twisted cables

#### Relay Output Features

· Resistive loads: 16 A Max - 230 VAC  
· Incandescent lamps: 10 A Max  
· Motors: 10 A Max  
· Fluorescent lighting transformer 2 A Max  
· Fluorescent lamps: use always an external counter



## Universal Dimmer

3 CHANNELS X 300 W

The 3 channel Dimmer Module is designed to drive dimmable lighting with KNX bus and allows dimming of incandescent and halogen lamps of 230V. The product can control one (900 W), two (600+300 W) or three (3x300 W) independent lighting circuits. The device is intended to be installed on DIN rail.

### Order code

**DM03B02KNX**  
Universal Dimmer 3 Channels x 300W

### Technical features

#### Dimensions

· (H. x W. x D.) 85 x 105 x 60 mm

#### Mounting

· 6 DIN modules

#### Connections

· Bus line: 2 bus connection terminals, section 0,8 mm<sup>2</sup>  
· Outputs: 2 plug-in terminals for each channel section conductors from 0,75 mm<sup>2</sup> to 2,5 mm<sup>2</sup>

#### Supply

· From the KNX bus and power supply 230 V 50/60 Hz

#### Specific Outputs

· 3 power outputs with the following characteristics  
· Power: 20 W to 300 W output with the possibility of coupling between them.  
· Power consumption without load 5 W

#### Control Elements

· 1 button to set the maximum value of brightness Max. or Min.  
· 1 button for manual control of each output

#### Indicators

· 1 red LED for programming ETS



## 1-10V Dimmer

3 OUT

Dimmer used to control lighting circuits via a 1-10V connection, acting upon remote control dimmers or electronic ballasts. The device is intended to be installed on DIN rail.

### Technical features

#### Dimensions

- (H. x W. x D.) 86 x 72 x 66 mm

#### Mounting

- 4 DIN modules

#### Connections

- Bus line: 2 bus connection terminals, max section 0,8mm<sup>2</sup>
- Outputs: 2 screw terminals for the relay contact and 2 for the change
- 1-10V, max section: 2,5 mm<sup>2</sup>

#### Supply

- From KNX bus 21 ... 30 VDC SELV

#### Specifications 1-10V relay outputs

- 3 power outputs with the following characteristics :
- Incandescent 230V Max. 2300W
- Halogen 2300W
- Halogen lamps with magnetic transformer 1500 VA

### Order code

**DM03C02KNX**  
1-10V Dimmer 3 OUT

- 1500W Halogen lamps with electronic transformer
- 1000W electronic ballast

#### Specifications 1-10V outputs

- 3 outputs 50mA Max.

#### Control Elements

- 1 button for programming ETS
- 1 button for setting the maximum value of brightness Max. or min.
- 1 button for manual control of each output

#### Indicators

- 1 red LED for programming ETS
- 3 output status LEDs



## Energy Meter

THREE PHASE WITH KNX INTERFACE

Active energy meter for three phase with a backlight LCD display for displaying the values, an input for switching rates between 2 rates and direct connection to 80A (PM30A) or with TA 5A/10.000 (PM30B).. The values of instantaneous power, KW / KVA h and scored for rate 1 and 2, are sent via the supplied KNX bus interface.

### Technical features

#### Dimensions

- Case 5 DIN 43880 DIN modules
- Fixing 35 mm DIN rail EN 60715
- Depth 70 mm

#### Reference standards:

- Active energy - EN 50470-1-3
- Reactive energy - output pulse EN 62053-23-31

#### Functionality

- Electricity network connection 4-wires
- Rates for active and reactive energy No. 2 T1 or T2

#### Supply

- Power supply voltage 230 VAC
- Voltage variation range 184 VAC ... 276 VAC
- Nominal frequency 50 Hz
- Power consumption (Max.) 8 -0,6 W VA

#### Accuracy at 23 ± 1 ° C refer to the nominal values

- Energy and power according to EN 50470-3 active ± 1% class 1 (B)
- Energy and reactive power in accordance with EN 62053-23 class 2 ± 2%

### Order code

#### PM30A01KNX

Energy Meter 80A Three Phase with KNX Interface

#### PM30B01KNX

Energy Meter Three Phase with KNX Interface and TA connection

#### Measuring inputs

- Listing phase /N - direct
- Current range (Ist ... I<sub>max</sub>) direct connection 0,015... 80A
- Frequency: 50 Hz
- Input waveform - sinusoidal
- Minimum current for the measurement of energy (Ist) 15 mA

#### S0 output according to EN 62053-31

- Pulse output for active energy and reactive
- Quantity impulse 500 imp / kWh
- 30 ± 2 ms pulse duration
- Power required min. 5 ... 230% ± 5 VAC / V<sub>dd</sub>

#### Optical interface

- Calibration Front (precision control) LED imp / kWh 1000



## Energy Meter 80A

SINGLEPHASE WITH KNX INTERFACE

Active energy meters for single phase AC with LCD display backlight for the display of values, an input for switching rates between 2 and direct connection to 80A. The values of instantaneous power, KW / KVA h are score for tariff 1 and 2, and sent via the supplied KNX bus interface.

### Order code

**PM10A01KNX**  
Energy Meter 80A singlephase with KNX Interface

#### Measuring inputs

- Listing phase / W - direct
- Current range (Ist ... I<sub>MaX</sub>) 0,025 direct connection ... 80A
- Frequency: 50 Hz
- Input waveform - sinusoidal
- Minimum current for the measurement of energy (Ist) 25 mA

#### S0 output according to EN 62053-31

- Pulse output for active energy and reactive
- Quantity Pulse 1000 imp / kWh
- 30 ± 2 ms pulse duration
- Power required min. 5 ... 230% ± 5 VAC / V<sub>dd</sub>
- Maximum Series Pulse ON (Max. 230 V AC / DC) 90 mA
- Maximum Series Pulse OFF (leakage current Max. 230 VAC / DC) 1 µA

#### Optical Interface

- Front Calibration (precision control) LED imp / kWh 1000

### Technical features

#### Dimensions

- 3 modules DIN 43880
- Fixing 35 mm DIN rail EN 60715
- Depth 70 mm
- Reference standards for active energy - EN 50470-1-3 reactive power - output pulse EN 62053-23-31

#### Functionality

- Connection to single-phase 2-wires
- Rates for active and reactive energy No. 2 T1 or T2

#### Supply

- Power supply voltage 230 VAC
- 184 VAC voltage variation range ... 276 VAC
- Nominal frequency 50 Hz
- Power consumption (MaX.) 8 VA - 0,6 W

#### Overload

- Permanent voltage U<sub>n</sub> 276 V / momentarily (1 s) 300 V
- Permanent current I<sub>max</sub> 80 A / momentary (10 ms) 2400 A

#### Accuracy at 23 ± 1 ° C refer to the nominal values

- Energy and power according to EN 50470-3 active% ± 1 (B)
- Energy and reactive power in accordance with EN 62053-23 ± 2%



## Gateway

KNX/DALI

The DALI Gateway is an interface between a KNX installation and a DALI lighting system (Digital Addressable Lighting Interface). The DALI Gateway allows the switching and dimming of a maximum of 64 lights with a DALI operating device (e.g. electronic ballast). Up to 6 different addressing types of the DALI Gateway allow group-oriented and individually-address control of DALI lights via KNX telegrams. This allows the integration of room-specific light controls, for example, of open-plan offices, multipurpose spaces, production facilities, training and conference rooms into the higher-level of KNX building management. Depending on the configuration, up to 32 independent DALI groups are available for group addressing. For alternative control, these can be supplemented with 64 individually-addressable DALI device channels, as necessary. Optionally, master control of all connected DALI components is possible (broadcast). This means that there is no need to commission DALI, the lighting systems with few functions can be started up quickly and easily (simplified configuration without DALI commissioning). The DALI Gateway is supplied completely via the mains voltage connection and makes the DALI system voltage (typ. DC 16 V) available. The device is designed for mounting on DIN rails.

### Order code

#### IC00P01DAL

Gateway KNX/DALI

### Technical features

#### Dimensions

- (H. x W. x D.) 90 x 72 x 58 mm

#### Mounting

- 4 DIN modules

#### Connections

- 2 screw connectors by channel max 4mm<sup>2</sup>

#### Supply

- From KNX bus 21...32 V DC SELV
- AC: 110...240V (50/60 Hz)
- DC: 110...240V
- DALI: DC 16V

#### Output Features

- Control of up to 64 DALI devices
- Automatic ECG replacement
- Individual, group or central addressing
- Emergency lighting management
- Effect control for dynamic lighting effects or colour games
- Manual operation of the DALI groups
- Disabling function for each DALI group
- Operating hours counter



## Gateway

KNX - DMX

Interface between KNX bus and DMX512 bus. Combines devices for building automation with control devices dedicated to lighting and special effects. One-way gateway that receives telegrams from the KNX bus and data bus to DMX512. Scenarios of all 512 channels can be configured and managed with KNX group addresses.

### Technical features

#### Dimensions

- (H. x W. x D.) 75 x 107 x 31 mm

#### Mounting

- 6 DIN modules

#### Operating Temperature

- -5 °C / 45 °C

#### Control Elements

- 3 x 16 potentiometers, stepper positions
- 1 button (user), 2 LEDs (user)
- 1 button programming for KNX and LED

#### KNX Power

- 21 - 30 V DC 150 mW

#### Programming

- Using the USB port

#### Supply

- 9-30V DC, 100mA, separated

### Order code

**IC00B01DMX**  
Gateway KNX-DMX



## Presence Sensors

INWALL OR SURFACE MOUNTING

Presence sensor dedicated to KNX installations in offices, conference rooms, schools, hospitals etc.. Up to 4 different operating modes are possible: the first is standard semi-automatic or fully automatic mode (switching), the second is a semi-automatic or fully automatic mode with the constant adjustment of brightness (dimming), the third is slave mode, the fourth is a permanent adjustment of the light (control of light is not dependent on the presence). Two target values are set (specified in Lux) and a reference value remains fixed (specified in%). The values can be modified using a communication object. Reflectivity for a better adjustment to environmental conditions. HVAC channels activated by push button.

### Order code

**PD00C03KNX**  
KNX Presence Sensors - Inwall Mounting

**PD00C04KNX**  
KNX Presence Sensors - Surface Mounting

### Technical features

#### Dimensions

- 98 x 50 mm H - Model Code PD00C03KNX
- 80 x 84.5 mm H - Model Code PD00C04KNX

#### Supply

- 24VDC to KNX / EIB-Bus Network

#### Detection area:

- 360 ° circular

#### Range (diameter) in meters:

- Sitting 4.00 m
- Movement away 10.0 m
- Movement approaching 6.0 m

#### Degree of protection:

- FM IP20 / Class II / EC
- Ambient temperature: -25 °C to +50 °C



## Power Supply

160 - 320 - 640 mA

Power supply for generating bus voltage on a line with a maximum current of 160, 320 or 640mA according to the model. With integrated choke to decouple the power supply voltage from the bus. Connection with screw terminals. Mounting on DIN rails EN 50022. Bus connection via bus terminal.

### Technical features

#### Dimensions

- (H. x W. x D.) 90 x 72 x 58 mm for 160 & 320 mA codes
- (H. x W. x D.) 90 x 110 x 58 mm for 640 mA code

#### Mounting

- 4 DIN modules (PS00C01KNX & PS00B02KNX)
- 6 DIN modules (PS00B03KNX)

#### Connections

- Bus line connecting terminal, wire max section 0,8mm<sup>2</sup>
- Power supply 230V with plug-in terminals, cable max section 2,5mm<sup>2</sup>

#### Supply

- 230V AC, 50-60Hz

### Order code

**PS00C01KNX**  
160 mA Power Supply

**PS00B02KNX**  
320 mA Power Supply

**PS00B03KNX**  
640 mA Power Supply

#### Output voltage

- 29 ± 1V DC

#### Output current / model

- Max 160mA, 320mA, 640mA with protection against short circuit

#### Control elements

- 1 switch to reset output power

#### Indicators

- 1 green LED for power bus
- 1 red LED for overload warning

## Line Coupler

KNX

LC00A01KNX can be used as a line coupler to connect a line to a main line or as a backbone coupler to connect a main line to a backbone line. LC00A01KNX supports long messages (up to 250 bytes) and provides a configurable special function that can be activated by a frontal button which is very useful in commissioning / installing phase or during system tuning.



### Order code

**LC00A01KNX**  
Line Coupler KNX

### Technical features

#### Dimensions

- (H. x W. x D.) 80 x 36 x 58 mm

#### Mounting

- 2 DIN modules

#### Connections

- KNX/EIB bus terminal for main line and subline

#### Supply

- From KNX bus 21..32 V DC SELV

#### Control Elements

- 1 button: Programming for ETS

#### Indicators

- LED Bus Stat Main green - Off: main line error - On: main line ok
- LED Bus Stat Main red - On: manual overwrite active
- LED Bus Stat Sub green - Off: sub line error or not connected - On: sub line ok
- LED Traffic Main green - Blinking: bus traffic on main line - Off: no traffic on main line

- LED Traffic Sub green - Blinking: bus traffic on sub line - Off: no traffic on sub line
- LED Traffic Main red - Blinking: transmission error on main line
- LED Traffic Sub red - Blinking: transmission error on sub line
- LED Group Address - Routing of group telegrams - Off: main and sub different - Green: filter table active - Green and red: route all - Red: block
- LED Physical Address - Routing of physical addressed telegrams - Off: main and sub different - Green: filter table active - Green and yellow: route all - Yellow: block



## USB - IP - IP Router

### INTERFACES

These devices allow the communication between computers, IP devices with the KNX bus system.

- KNX / USB 1.1 or 2 interface for direct connection to your computer
- KNX / IP interface for direct or LAN connection for programming or supervision of the KNX system.
- KNX / IP router, is used for connectionless and simultaneous transmission of KNX telegrams to several devices. It can also be used as a programming interface KNX bus system

### Technical features

#### Dimensions

· (H. x W. x D.) 90 x 36 x 65 mm

#### Mounting

· 2 DIN modules

#### Connections for USB / KNX

- Bus line with bus connecting terminal, wire max section 0,8mm<sup>2</sup>
- USB type B socket

#### Connections for Interface IP - IP Router / KNX

- Bus line bus connecting terminal, wire max section 0,8mm<sup>2</sup>
- Additional power supply: 2-wire screw terminals with max section 4 mm<sup>2</sup>
- Network RJ45 LAN jack

### Order code

**IN00A02USB**  
USB / KNX Interface

**IN00A02IPI**  
IP / KNX Interface

**IN00A01RIP**  
IP ROUTER / KNX Interface



## Miniature LED Lamps

3V BLUE OR WHITE

Packages of 20 or 60 pcs LED with Blue or White light 3V wired red / black.

### Order code

**LD00A01ACC**  
Miniature LED Lamps Blue 3V 20 pcs

**LD00A02ACC**  
Miniature LED Lamps Blue 3V 60 pcs

**LD00A11ACC**  
Miniature LED Lamps White 3V 20 pcs

**LD00A12ACC**  
Miniature LED Lamps White 3V 60 pcs

### Technical features

#### Dimensions

- 3 mm x 4.3 mm (width and height) and 3.85 mm (radius)
- Current: 20 mA
- Reverse Voltage: 5 V
- Luminous Intensity: 4000 Min - Max 9000mcd



## KNX Wago Connector

RED / BLACK

BUS Connector Red / Black for EIB / KNX, with direct plug connection. They can be connected up to 4 pairs of wires to a KNX device, it can also be used as a branch terminal.

### Order code

**WG00A01ACC**  
KNX Wago Connector Red / Black Box 10 pcs

**WG00A02ACC**  
KNX Wago Connector Red / Black Box 100 pcs

### Technical features

#### Dimensions

· (H. x W. x D.) 11.5 x 10 x 10 mm

#### Features

· Wire 22 to 18 AWG (0.6 - 1 mm)

- EN detected voltage 100V
- Rated current 6A
- Stripping length from 5 to 6 mm

## KNX

### BUS CABLE

It is used for installation in "smart" building applications. Guarantees perfect communication in accordance with specifications established by EIB / KNX, and is suitable for applications with fixed wiring inside channels and under plaster.

### Order code

**CV00A01KNX**  
Double-bus cable 2x2x0, 8 coils 100mt

**CV05A01KNX**  
Double-bus cable 2x2x0, 8 coils 500mt

**CV10A01KNX**  
Double-bus cable 2x2x0, 8 coils 1000mt

**CV00A02KNX**  
Single bus cable 1x2x0, 8 coils 100mt

**CV05A02KNX**  
Single bus cable 1x2x0, 8 coils 500mt

**CV05A02KNX**  
Single bus cable 1x2x0, 8 coils 1000mt

### Technical features

#### Inner Conductor

· Solid bare copper wire

#### Construction

· 1 x 2 x 0,8 or 2 x 2 x 0,8 mm

#### Dielectric

· Low smoke zero halogen fire retardant compound (LSZHFRNC)

#### Colours

· Red, black or red, black, yellow, white

#### Outer Jacket

· Low smoke zero halogen fire retardant compound (LSZHFRNC)

#### Classified

· CEI 20-11 M1

#### According to

· IEC 60332-1, IEC 61034-1= IEC 61034-2

#### Diameter

· 5,20 mm ± 0,20 colour

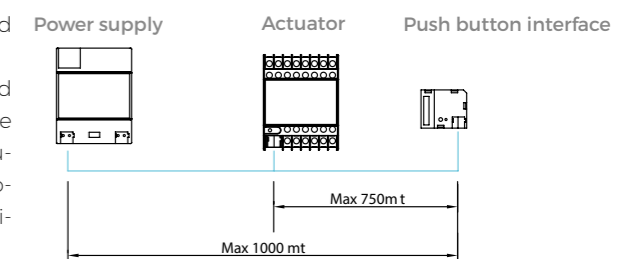
#### Colour

· Green (RAL 6018)

## Bus Line Extension

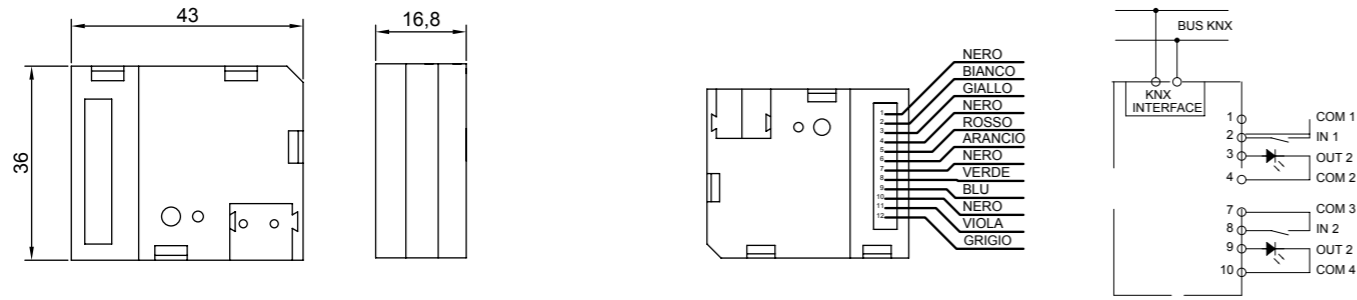
The structure of a KNX installation comprises areas, lines and devices. Each line consists of a power supply that provides voltage (SELV 29V), and a maximum of 64 devices connected in any installation topology. More bus lines can communicate with each other through "Line / Area Couplers". To achieve coupling between 15 lines, you need to create an Area composed of a total of 960 devices: this can be coupled to a maximum of 15 other Areas.

A bus line can have a maximum length of 1,000m (considered as the sum of all segments in the line), and the maximum distance between the adapter and the farthest device or between two devices is 750 m.



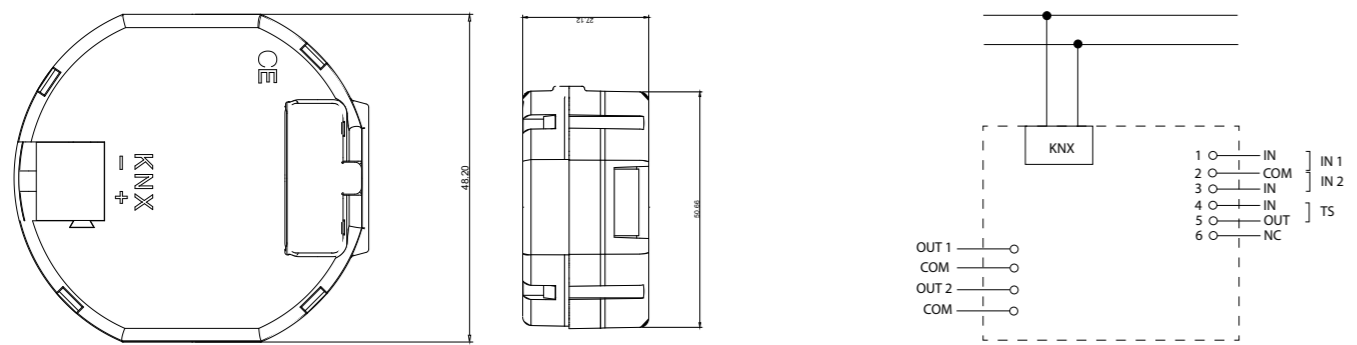
PUSH BUTTON INTERFACE 2 IN / 2 OUT LED - PUSH BUTTON INTERFACE 4 IN / 4 OUT LED

IO22C02KNX - IO44C02KNX



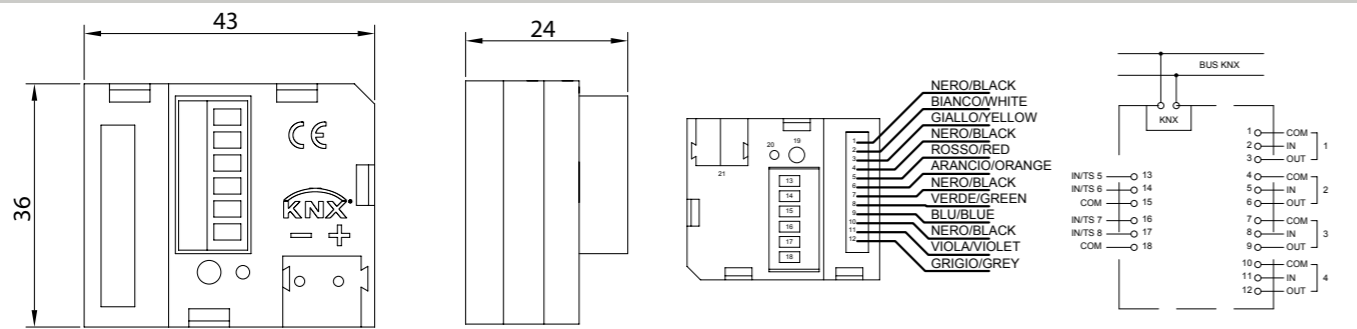
INWALL MODULE 3 IN / 2 OUT

IO32D01KNX



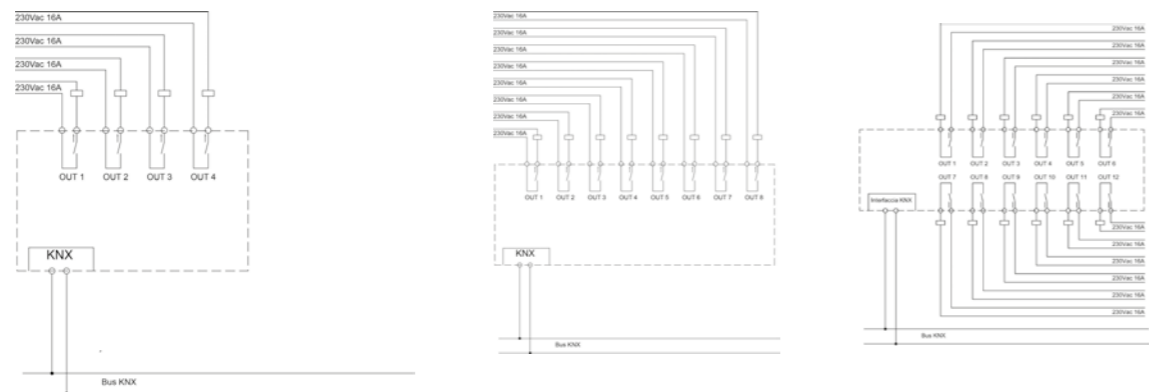
INWALL 8 INPUT/4 LED OUTPUT MODULE

AD84A02KNX



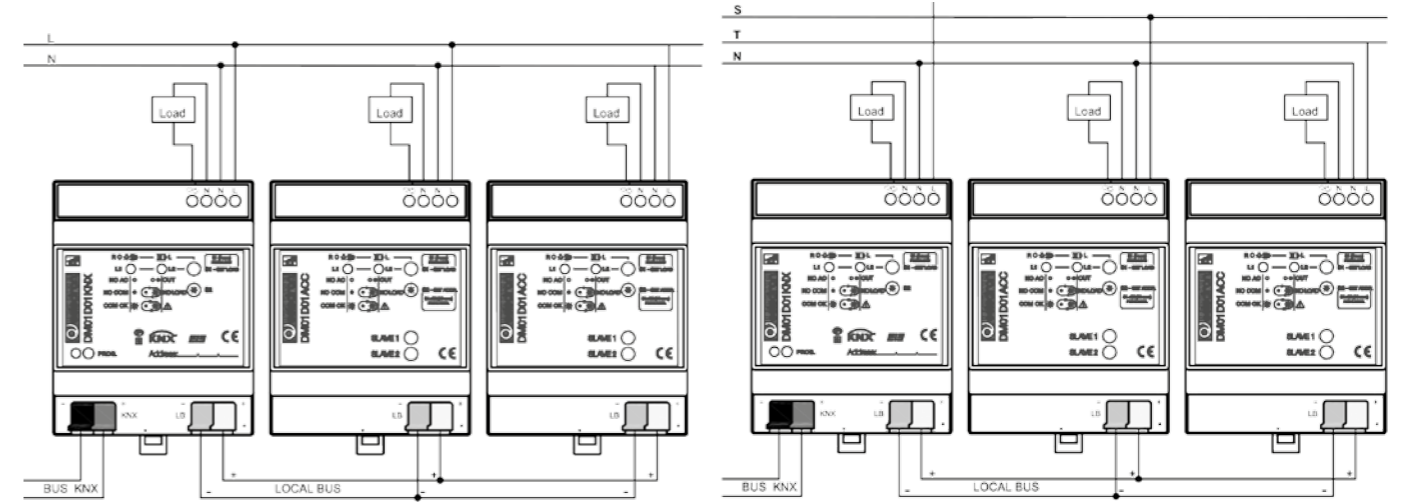
UNIVERSAL 4 OUT / 8 OUT / 12 OUT

BO04A01KNX - BO08A01KNX - BO12B01KNX  
BO04B01KNX - BO08B01KNX



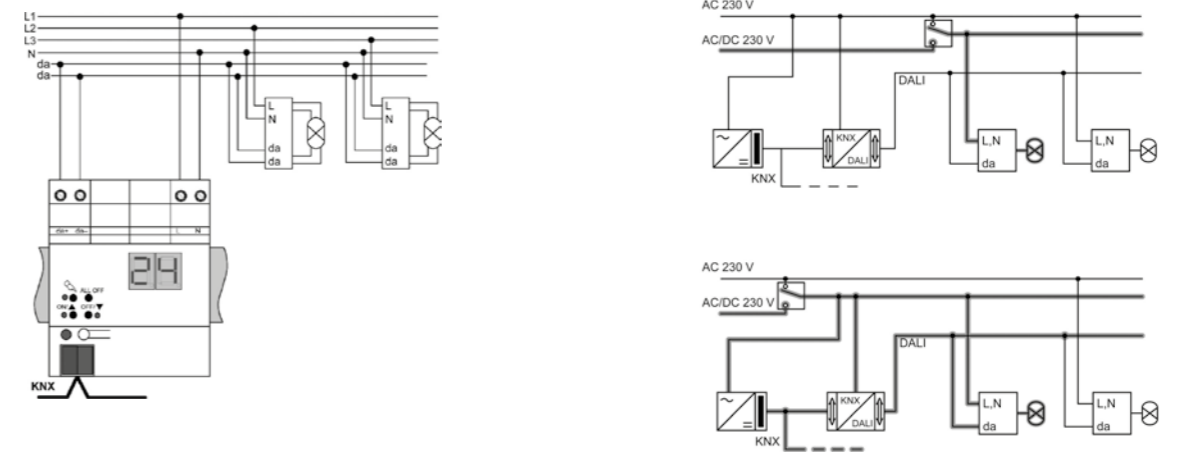
UNIVERSAL DIMMER 1 CHANNEL 700W

DM01D01KNX - DM01D01ACC



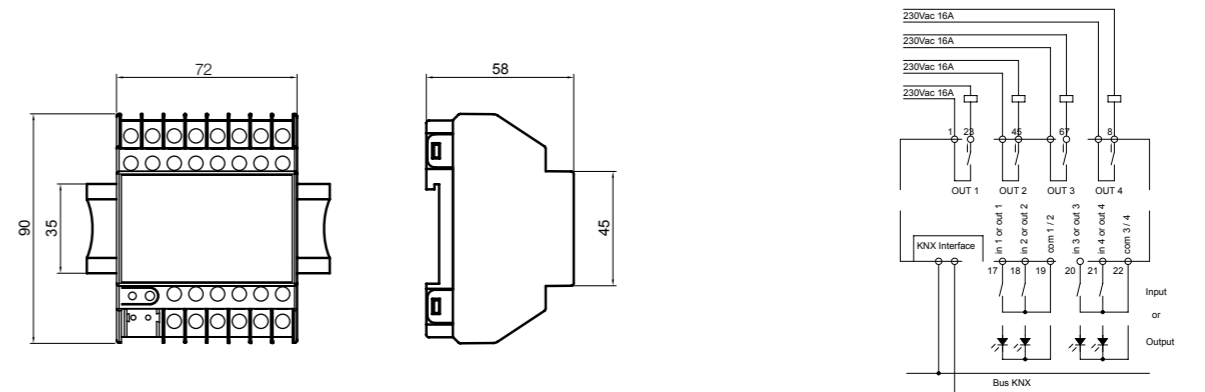
GATEWAY DALI/KNX

IC00P01DAL



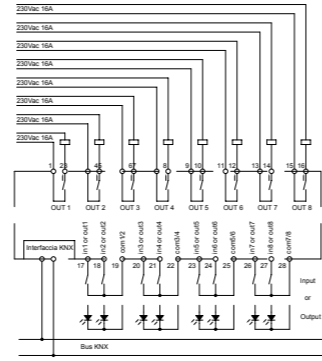
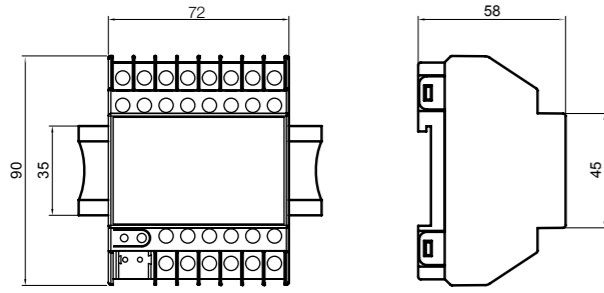
UNIVERSAL 4 IN / 4 OUT C-LOAD - MULTIFUNCTIONAL 4 IN / 4 OUT

IO44B02KNX-C - IO44E01KNX



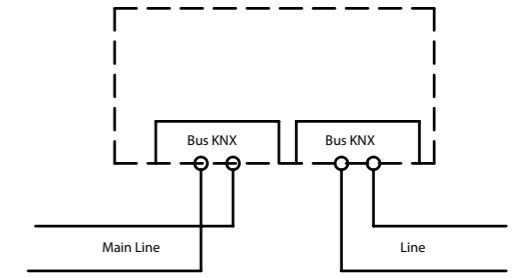
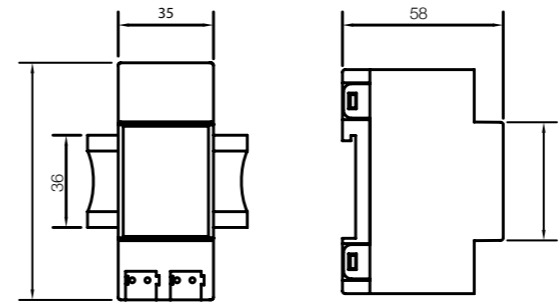
UNIVERSAL 8 IN / 8 OUT C-LOAD - MULTIFUNCTIONAL 8 IN / 8 OUT

IO88B02KNX-C - IO88E01KNX



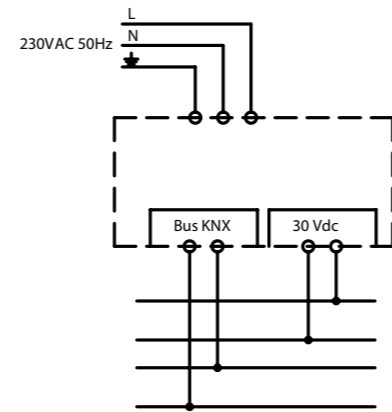
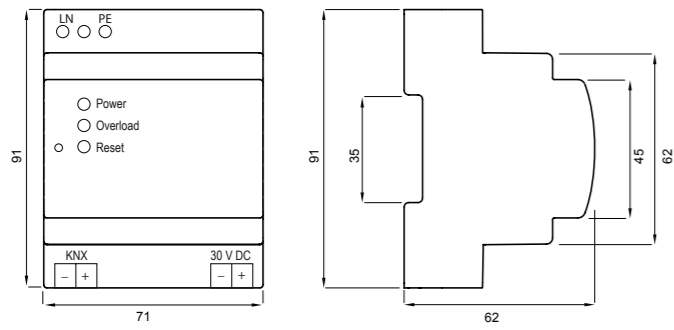
BUS LINE COUPLER KNX

LC00A01KNX



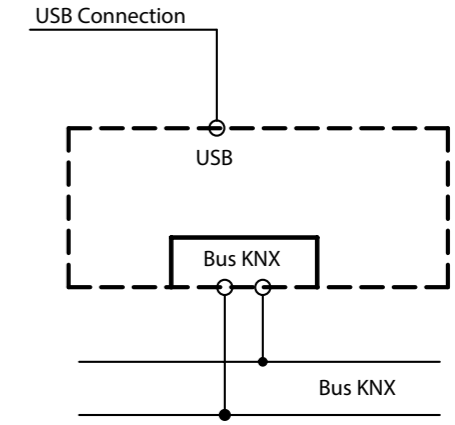
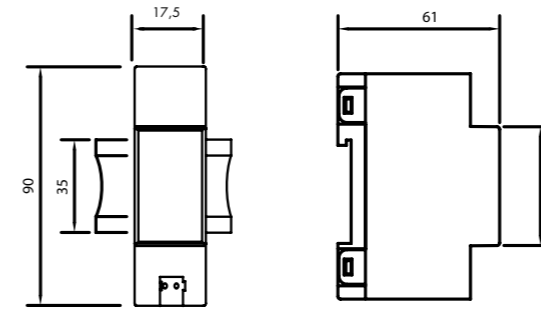
160 mA POWER SUPPLY

PS00C01KNX



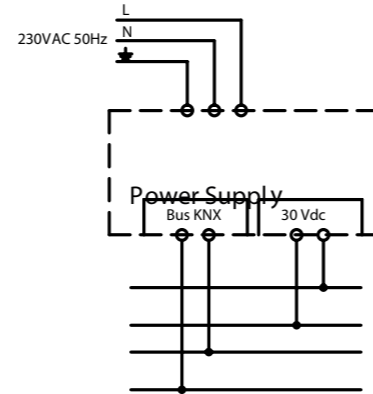
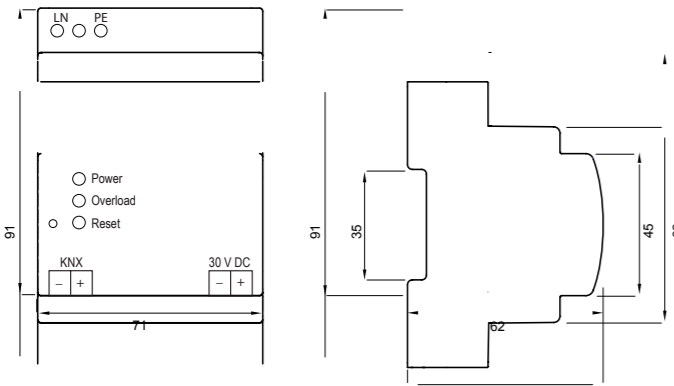
USB/KNX INTERFACE

IN00A02USB



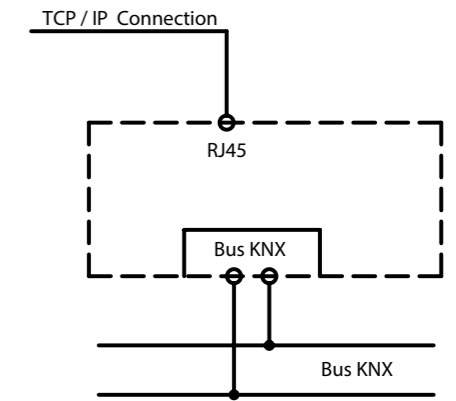
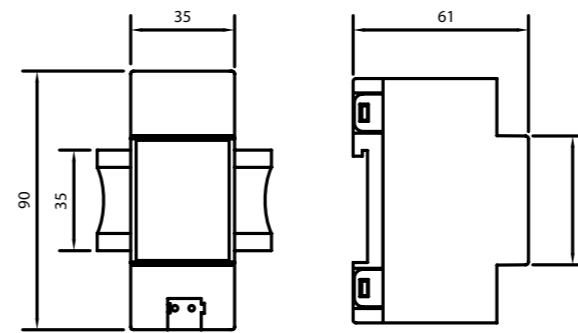
320 mA POWER SUPPLY

PS00B02KNX



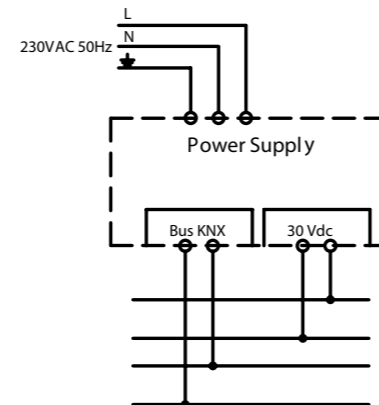
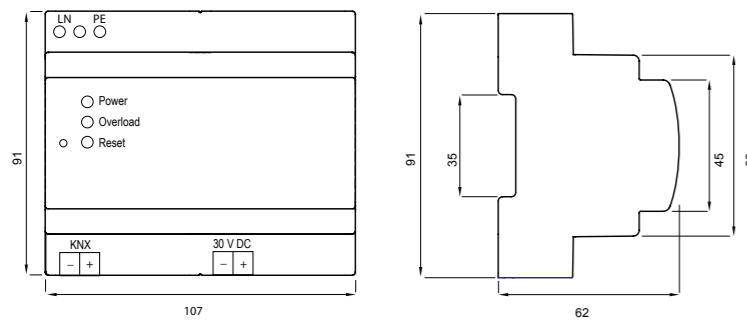
IP ROUTER /KNX INTERFACE - IP/KNX INTERFACE

IN00A01RIP  
IN00A02IPI



640 mA POWER SUPPLY

PS00B03KNX







**Branch Offices:**

Milan

Paris

Dubai

Bangkok

Beijing

Hong Kong



Eelectron SpA - Via Monteverdi 6  
20025 Legnano - Milano - Italy  
Tel +39 0331500802 - Fax +39 0331564826  
info@eelectron.com  
[www.eelectron.com](http://www.eelectron.com)

RESIDEN  
HOTEL  
BUILDIN  
BUILDIN  
HOTEL  
RESIDEN  
HOTEL  
RESIDEN  
BUILDINGHOTEL  
RESIDEN  
BUILDINGHOTEL  
HOTEL BUILDI  
RESIDENTIALHO  
HOTEL BUILDIN  
RESIDEN  
BUILDINGHOTEL  
RESIDEN  
BUILDINGHOTEL  
HOTEL BUILDI  
RESIDENTIALHO  
HOTEL BUILDIN  
RESIDENTIALHO  
HOTEL RESIDE  
RESIDENTIALHO  
HOTEL RESIDE  
BUILDINGHOTEL  
HOTEL BUILDI