



Building and Home Evolution



PRODUCT CATALOGUE



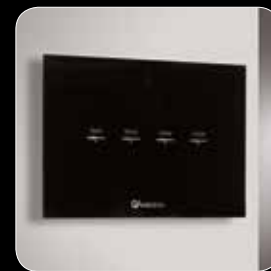


eelecta®

Pag. 06

Residential

Switches, Touch panel, Frames and Sockets



GlassPad

Pag. 28

Residential

Capacitive switches with glass frames



Synchronicity

Synchronise events - Synchronise colours

Pag. 36

Hospitality

HVAC, Access control and Guest room management system



KNX® Actuators

Pag. 50

Building

Actuators, Dimmers, Presence Detectors , System components

eelecta - GlassPad
RESIDENTIAL

Synchronicity
HOSPITALITY

KNX Actuators
BUILDING

Eelectron is an Italian company with a focus on designing and manufacturing electronic devices dedicated to building and home evolution and closely related software tools.

As of year 2005, Eelectron applies to KNX Association, fulfilling his requirements with the main goal of giving a contribution to the diffusion of the world's only open Standard for home and building automation.

Eelectron philosophy of comprehensive aesthetic design and engagement in developing highly innovative devices, matched with KNX interoperability and compliance with international requirements, has engendered Eelectron's distinct reputation.



Made in Italy

eelecta®

You, in an homy and environmental world

eelecta is a product range dedicated to democratic, smart and creative design.

To the interaction between users and lighting control, energy saving, temperature control, entertainment.

To an efficient use of space.

To cost effective solutions for an eco-friendly environment.

To private homes, buildings, hospitality.

Design: **Marco Fossati**



reddot design award
winner 2012



DESIGN PLUS
powered by: light-building



Stylish yourself

Eclectic, Creative... in line with your style

Eelecta is a design and architectural element shaped to leave a coloured and graphical sign in the space.

Lighting control

Dimming, lighting sequences,
management of scenarios using
led technology



Programmed setting of electrical functions

Scenarios - Absence, party, relax...
Socket power control

Differentiated temperature setting

With an integrated thermostat,
detecting and regulating a desired
temperature

Audio/Video source selection

Channel, station, local volume and
track selection

Centralized management of valves and loads

Shutters, irrigation, external drives, gates



Event based or occupancy based automation

A scenario or a given automation
can be launched from an external
device connected to the HomePad,
as for example a traditional occupancy
sensor

“Hidden” Functions

To be activated with a long
pressure length on the Pad

Touch Panel 3'5 KNX



HomePad - MiniPad - MiniSwitch



Frames



1st function:
every pad drives one
or two functions

2nd function:
diagonal pressure

3rd and 4th functions:
with a long pressure,
another function is
activated

4 frontal leds associated
to a single function



HomePad and MiniPad are available with 4 or 8 channels (functions), with thermostat, 4 inputs interface options and circular functions.

How it works

Lateral programmable **led for night** mode
or night light

Integrated **thermostat**

Until 4 inputs devices (standard
switches, presence sensor, etc.)
can be connected to the Home-
Pad to activate smart functions



Direct **KNX bus**
connection

How to wire

Artwork:

Elio Mariani

One of the creative leaders of MecArt. He goes through visual communication and image production, bringing on a critic to mass market society and using serial processes as a way to democratic art. To the account of Eelecta, he has defined 4 Artworks from his collection.



Artwork 004- Elio Mariani,
detail from masterpiece "La Bouche"
1C - M4



Artwork 001 - Elio Mariani,
detail from masterpiece
"Figura stracciata"
3D - M1



Artwork 002 - Elio Mariani,
detail from masterpiece "Enigma"
3C - M2



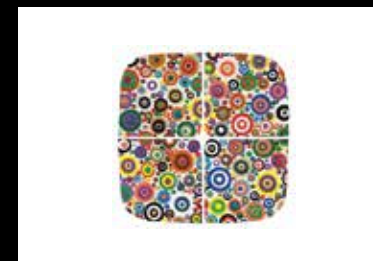
Artwork 003 - Elio Mariani,
detail from masterpiece "Ballerina"
1C - M3

Customized Artwork

Through the site www.eelecta.com it is possible to personalize your HomePads and MiniPads with your style using photos, graphics or icons at your choice.



Graphical customizations



Icons customizations





New **Metal** Finishes

- PVD (Physical Vapor Deposition) Technology
- Three Colours Available: Silver, Old Bronze, Deep Blue
- Available for MiniPad, HomePad and Frames.



Big like this:

Eelecta is a design and architectural element shaped to leave a coloured and graphical sign in the space.

- More design
- More colours and personalized graphics: the HomePad doesn't want to be hidden
- Clear and easy function signalling throughout icons and colours

Colour's Range

Linear Cover

					
Ceramic White COAW	Black Weave COABW	Black Matte COAA	Bronze COABR	Gold COAG	Chromo COAS

Wave Cover

					
Ceramic White COBW	Black Weave COBBW	Black Matte COBA	Bronze COBBR	Gold COBG	Chromo COBS

Complete HomePads available on all functional models

					
Ceramic White - Black cross 1C - WH	Ceramic White - White cross 1A - WH	Black Matte - Red cross 3D - BL	Black Matte - Black cross 3C - BL	Gold - Black cross 3C - GO	Chromo - Black cross 2C - CR
					
PVD Silver - Black cross 4C - SL	PVD Old Bronze - Black cross 6C - OB	PVD Deep Blue - Black cross 5C - DB			

Order codes are referred to colour palette and has to be completed with functional codes.
(es. PB40B3DKNX-BL)

MiniPad available on all functional models

					
Ceramic White - Black cross 1C - WH	Ceramic White - White cross 1A - WH	Black Matte - Black cross 3C - BL	Black Matte - Red cross 3D - BL	Chromo - Black cross 2C - CR	PVD Silver - Black cross 4C - SL
					
PVD Old Bronze - Black cross 6C - OB	PVD Deep Blue - Black cross 5C - DB				

Order codes are referred to colour palette and has to be completed with functional codes.
(es. MB40B3DKNX-BL)

HomePad

Codici	Descrizione
PB40AxxCON	• HomePad 4 CH.
PB40BxxKNX	• HomePad KNX 4 CH.
PB40CxxKNX	• HomePad KNX 4 CH. 4 IN - TS
PB80AxxKNX	• HomePad KNX 8 CH. - TS
PB80CxxKNX	• HomePad KNX 8 CH. - TS - Circular functions

MiniPad

Codici	Descrizione
MB40BxxKNX	• MiniPad KNX 4 CH.
MB40CxxKNX	• MiniPad KNX 4 CH. 4 IN - TS
MB80AxxKNX	• MiniPad KNX 8 CH. - TS
MB80CxxKNX	• MiniPad KNX 8 CH. - TS - Circular functions

eelecta Touch panel 3,5"

In a small space, in a distinctive shape, we have focused all our attention. Far from outward appearances, we have privileged the essence of an advanced interface, as expected by users





Personalized:
Screen savers with
 personal **photographs**,
icons, **skins**, colour and
 menu.



Modular installation:
 round or squared 2 modules box, rectangular 3
 modules box, horizontal or vertical.

- Direct KNX bus connection
- 12/30 Volt DC power supply
- Integrated buzzer for alarm signalling
- Frontal led for signalling or night light
- 6 programmable pages with 8 functions
- Settable password protection
- Integrated thermostat
- Supercap battery for clock memory after temporary (24h) black out.

Tarif and load control

With a clever management of energy related expenditures, energy saving goes along with control and efficiency.

Temperature control and management local or zone based.

The touch panel has an integrated thermostat, managing 2 or 4 pipes systems, residential systems, air conditioning. Every temperature zone dedected from HomePads is programmed on an hour, day and week base.

Colour selection for RGB/DMX lighting on colour palette.

Coloured light sequences, programmed to show emotional scenarios, design and wellness environments

Scenarios, shutters, lights, external drives, loads management

One only control point to detect, program and manage every home function.

Timers, irrigation, morning clock

Every event is timed: even your morning wake up.

Entertainment

From the touch panel, audio systems and external devices (TV, STEREO, etc.), are managed selecting tracks, volumes, sources, artists.



Ceramic white
 VS00E10KNX



Black matte
 VS00E30KNX



Chromo
 VS00E20KNX



PVD Silver
 VS00E60KNX

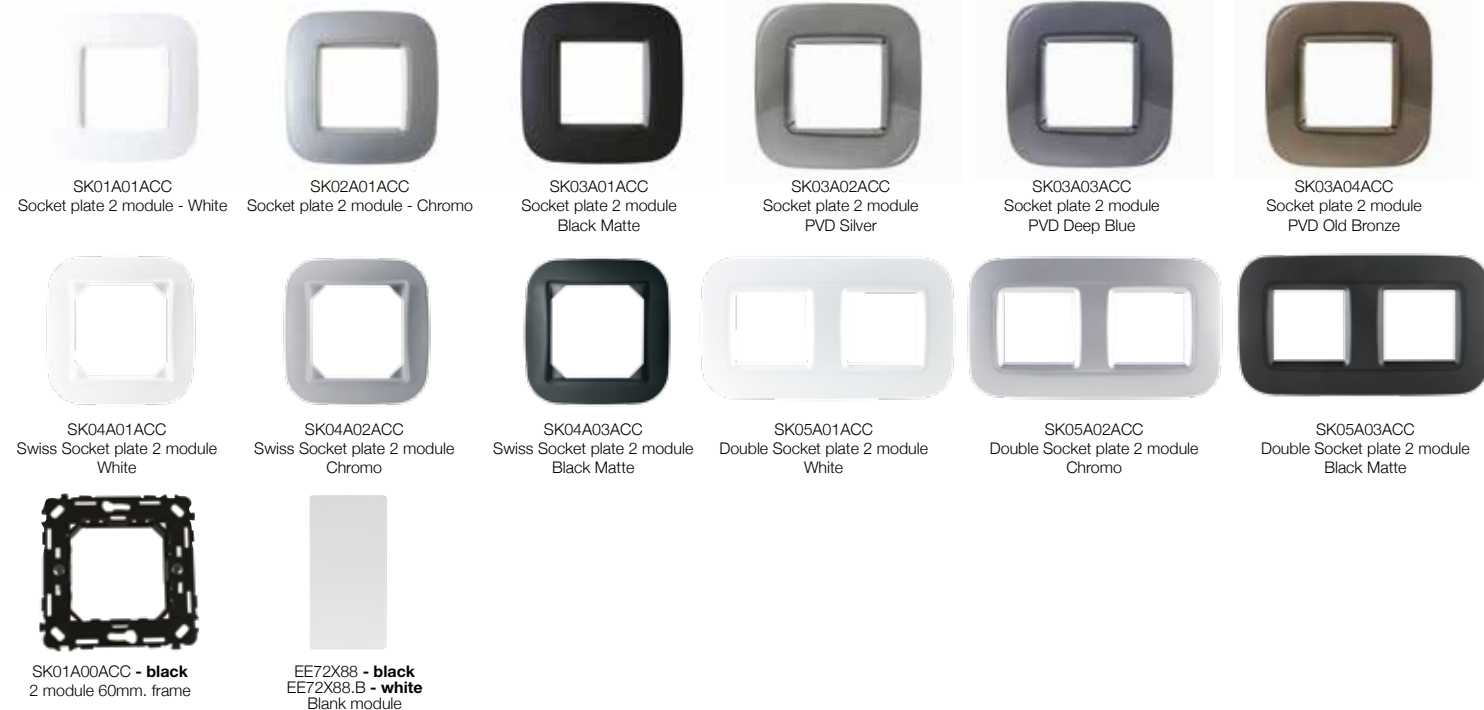


PVD Deep Blue
 VS00E70KNX

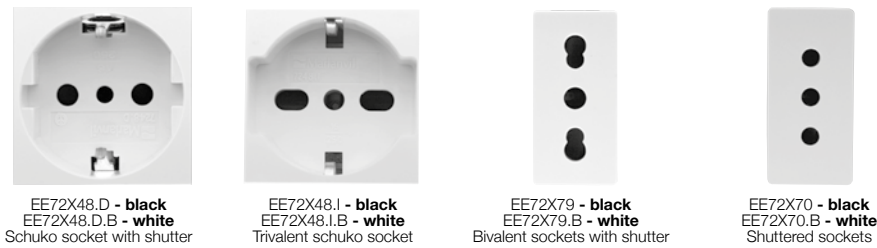


PVD Old Bronze
 VS00E80KNX

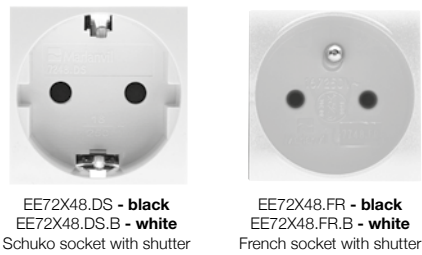
Frames and Sockets



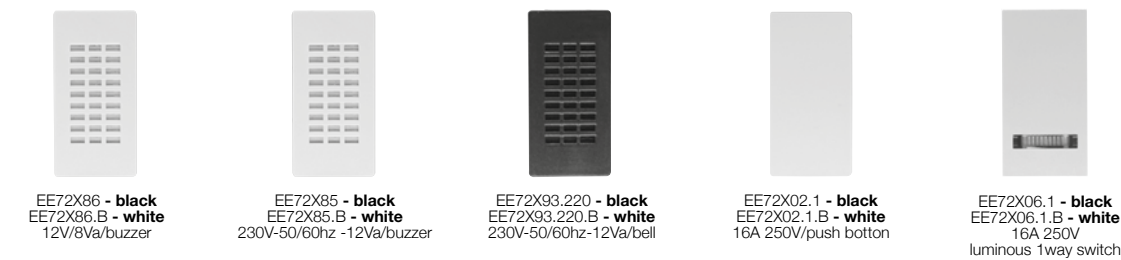
Italian standard



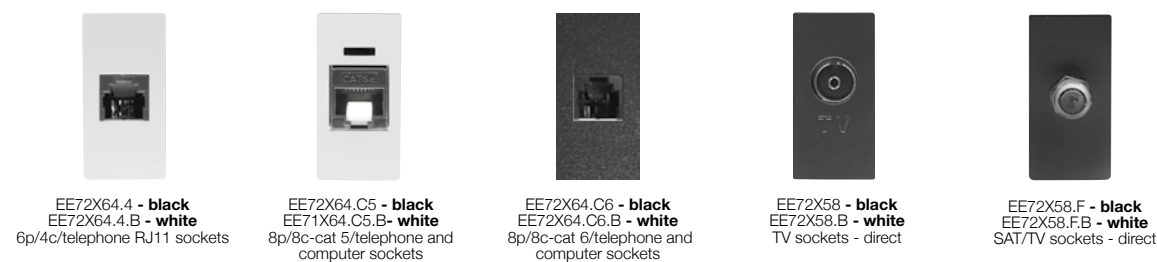
International standard



Special equipment



International sockets: Data, TEL, TV, SAT

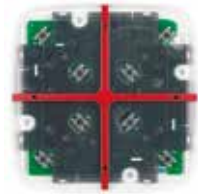


New range of **KNX** switches suitable for **eelecta** frames



Sockets and Frames with different finishes, available for 2 module inwall box. 1,2,4 LED freely configurable.

Eelecta - HomePads - MiniPads - MiniSwitch - Touch Panel 3,5"



HOMEPAD 4 CH CONVENTIONAL - BASE

The conventional HomePad PB40AxxCON is available in 3 colors (White, Chromo & Black), the Eelecta's range is characterized by a central cross that can be personalized with different finishes and multiform Pad cover silk screen printing. The HomePad can be installed on 2 or 3 module boxes. The product has 4 contacts and must be connected with a KNX communication module or with a KNX HomePad using the 4 rear inputs available (IO44C02KNX , PB40CxxKNX – PB80BxxKNX).

ORDER CODES

HomePad 4 CH Conventional - base

PB40AxxCON

Order codes are referred to colour palette and has to be completed with functional codes (ex. PB40A11KNX).

TECHNICAL FEATURES

Supply

- Not present

FEATURES Inputs

- Number of Pads: 4

Electrical Characteristics

- MAX 40 mA / 12V DC

Connection

- Inputs: 4 With terminals for cable connections up to 0,2 mm²

Dimensions:

- Dimensions: 110 mm x 110 mm



HOMEPAD - MINIPAD KNX 4CH - BASE

The KNX PB/MB40BxxKNX is available in 3 colors (White, Chromo, Black).The Eelecta's range is characterized by a central cross that can be personalized with different finishes and multiform Pads silk screen printed. The HomePad/MiniPad has 5 state signalling or night mode Leds ,can be installed on 2 or 3 module boxes and has 4 channels. The switch pressure can be long or short and can command sequences.

ORDER CODES

HomePad KNX 4 CH - Base

PB40BxxKNX

MiniPad KNX 4CH

MB40BxxKNX - WH/CR/BL/SL/OB/DB

Order codes are referred to colour palette and has to be completed with functional codes. (ex. PB40B11KNX)

TECHNICAL FEATURES

Supply

- Through the wire EIB / KNX
- Voltage 21 .. 30V DC
- Current consumption EIB / KNX <10mA

FEATURES Inputs

- Number of Pads: 4

Outputs

- Number: 5 white LEDs

Connection

- EIB / KNX bus connecting terminal 2 of 0.8 mm²

Dimensions:

- Dimensions: 110 mm x 110 mm or 90 mm x 90 mm



HOMEPAD - MINIPAD KNX 4CH + 4 IN + THERMOSTAT

The KNX PB/MB40CxxKNX is available in 3 colors (White, Chromo, Black), the Eelecta's range is characterized by a central cross that can be personalized with different finishes and multiform Pads silk screen printing. The HomePad/MiniPad has 5 state signalling or night mode Leds, can be installed on 2 or 3 module boxes. The pressure of Pads can be long or short and can command sequences. The device has 4 channels and thermostat on board to manage ON/OFF actuators for conditioning and heating, electric valves zone, 2/4 pipe fancoil controlling with up 3 speed. 4 inputs are available to interface traditional switches from the same range or other conventional switches. (PB40AxxCON)

ORDER CODES

HomePad KNX 4 CH + 4 IN + Thermostat - Base

PB40CxxKNX

MiniPad KNX 4CH + 4 IN + Thermostat

MB40CxxKNX - WH/CR/BL/SL/OB/DB

Order codes are referred to colour palette and has to be completed with functional codes (ex. PB40C11KNX).

TECHNICAL FEATURES

Supply

- Through the wire EIB / KNX
- Voltage 21 .. 30V DC
- Current consumption EIB / KNX <10mA

FEATURES Inputs

- Number of Pads: 4
- Inputs: 4 for clean contacts
- Maximum cable length: 10m = twisted

Outputs

- Number: 5 white LEDs

Connection

- EIB / KNX bus connecting terminal 2 of 0.8 mmo
- 2 4-way terminals for connection of 4 inputs with cables up to 0,2 mm²

Dimensions:

- Dimensions: 110 mm x 110 mm or 90 mm x 90 mm



HOMEPAD - MINIPAD KNX 8 CH + TS

The KNX HomePad PB/MB80AxxKNX is available in 3 colors (White, Silver & Anthracite), the Eelecta's range is characterized by a central cross that can be personalized with different finishes and multiform cover silk screen printing. The HomePad/MiniPad has 5 state signaling or night mode Leds, can be installed on 2 or 3 module boxes. The pressure of Pads can be long or short and can command sequences. The HomePad has 8 channels and thermostat on board to manage ON/OFF actuators for conditioning and heating, electric valves zone, 2/4 pipe fancoil controlling up 3 speed.

ORDER CODES

HomePad KNX 8 CH + TS - Base

PB80AxxKNX

MiniPad KNX 8 CH + TS

MB80AxxKNX - WH/CR/BL/SL/OB/DB

Order codes are referred to colour palette and has to be completed with functional codes (ex. PB80A11KNX).

TECHNICAL FEATURES

Supply

- Through the wire EIB / KNX+ Tensione 21..30V DC
- Voltage 21 .. 30V DC
- Current consumption EIB / KNX <10mA

Inputs

- Number of Pads: 8

Outputs

- Number: 5 white LEDs

Connection

- EIB / KNX bus connecting terminal 2 of 0.8 mmo

Dimensions:

- Dimensions: 110 mm x 110 mm or 90 mm x 90 mm



HOMEPAD - MINIPAD KNX 8 CH - THERMOSTAT - CIRCULAR FUNCTIONS

The KNX PB/MB80CxxKNX is available in 3 colors (White, Silver & Anthracite), the Eelecta's range is characterized by a central cross that can be personalized with different finishes and multiform cover silk screen printing. The HomePad/MiniPad has 5 state signaling or night mode Leds, can be installed on 2 or 3 module boxes,. The pressure of Pads can be long or short and can command sequences. This device has 8 channels and thermostat on board to manage ON/OFF actuators for conditioning and heating, electric valves zone, 2/4 pipe fancoil controlling up 3 speed. The 4 central Pads can be configured for manage functions in a simple way:dimmer, shutters, fan coil speed, thermoregulation; in this case the LED on board can be used as signals for the required functions.

On the other way is always possible to use the functions of products as PB/MB80CxxKNX.

ORDER CODES

HomePad KNX 8 CH + Thermostat + Circular Functions - Base

PB80CxxKNX

MiniPad KNX 8 CH + Thermostat + Circular Functions

MB80CxxKNX - WH/CR/BL/SL/OB/DB

Order codes are referred to colour palette and has to be completed with functional codes (ex. PB80C11KNX).

TECHNICAL FEATURES

Supply

- Through the wire EIB / KNX
- Voltage 21 .. 30V DC
- Current consumption EIB / KNX <10mA

FEATURES Inputs

- Number of Pads: 8

Outputs

- Number: 5 white LEDs

Connection

- EIB / KNX bus connecting terminal 2 of 0.8 mmo

Dimensions:

- Dimensions: 110 mm x 110 mm or 90 mm x 90 mm



MINISWITCH KNX 1-2-4 CHANNELS

New Miniswitches KNX suitable with plates of Eelecta's range 2 or 4 modules.The range is composed by 3 models that include 1,2 or 4 channels switches with a dimension of 45x45 mm (frame not included). Product has 1, 2 o 4 frontal led signalling (one for each channel) that can be programmed through ETS. . The switches are available in 2 different colours (white or anthracite) and the plates in 3 colours (white, silver e black).

ORDER CODES

MiniSwitch 1 ch. KNX – Anthracite

WB10A30KNX

MiniSwitch 1 ch. KNX – White

WB10A10KNX

MiniSwitch 2 ch. KNX – Anthracite

WB20A30KNX

MiniSwitch 2 ch. KNX – White

WB20A10KNX

MiniSwitch 4 ch. KNX – Anthracite

WB40A30KNX

MiniSwitch 4 ch. KNX – White

WB40A10KNX

Order codes are referred only to switches without frames.

TECHNICAL FEATURES

Supply

- Through the wire EIB/KNX
- Tension 21..30V DC
- Current Consumption <10mA

FEATURES Inputs

- Inputs: 1-2-4

Outputs

- Number: 1-2-4 white led

Connection

- EIB/KNX bus connecting terminal 2 of 0.8 mmo

Dimensions:

- 45 mm x 45 mm (without frames)

Eelecta - HomePads - MiniPads - Touch Panel 3,5"



3,5" TOUCH PANEL KNX + THERMOSTAT

The Eelecta touch panel: powerful control in a distinctive shape. With a coloured display, dimming, status, values, lighting, shutters and timers are controlled and password protected when needed. Using the embedded temperature sensor, chrono or fancoil controlling functions are managed. DMX coloured Led or lights are controlled with the optional DMX gateway, and load control with automatic cut off of loads is performed with optional power meter. Based on Linux® OS and ETS programmable, the 3,5" touch panel is equipped with a Led indicator and an buzzer for alarm functions. Available in nine different colours.

ORDER CODES

Eelecta 3.5" coloured KNX Touch Panel
Ceramic White

VS00E10KNX

Eelecta 3.5" coloured KNX Touch Panel
Chromo

VS00E20KNX

Eelecta 3.5" coloured KNX Touch Panel
Black Matte

VS00E30KNX

Eelecta 3.5" coloured KNX Touch Panel
PVD Silver

VS00E60KNX

Eelecta 3.5" coloured KNX Touch Panel
PVD Deep Blue

VS00E70KNX

Eelecta 3.5" coloured KNX Touch Panel
PVD Old Bronze

VS00E80KNX

TECHNICAL FEATURES

- 3.5"- TFT color display with 320xRGBx240 (256K colors) with Touch Screen.
- Processor 200MHz 32-bit ARM
- Linux OS
- Adjustable Backlight
- Buzzer
- Programmable with ETS
- 6 display pages, each of them with 8 control elements
- Each element of control can handle up to 4 KNX items
- Wide range of control elements - buttons / sliders / etc ..., with management objects 1-bit, 1 byte, 2 bytes...
- Elements-control for shutters, blinds, clock, dimmer, timer ..
- Management page for additional alarm inputs bus.

- Each page or item can be protected by a password.
- Various user interfaces, and layout options are available
- Customization of the product available on request

Elements EIB / KNX

- Up to 196 communication objects

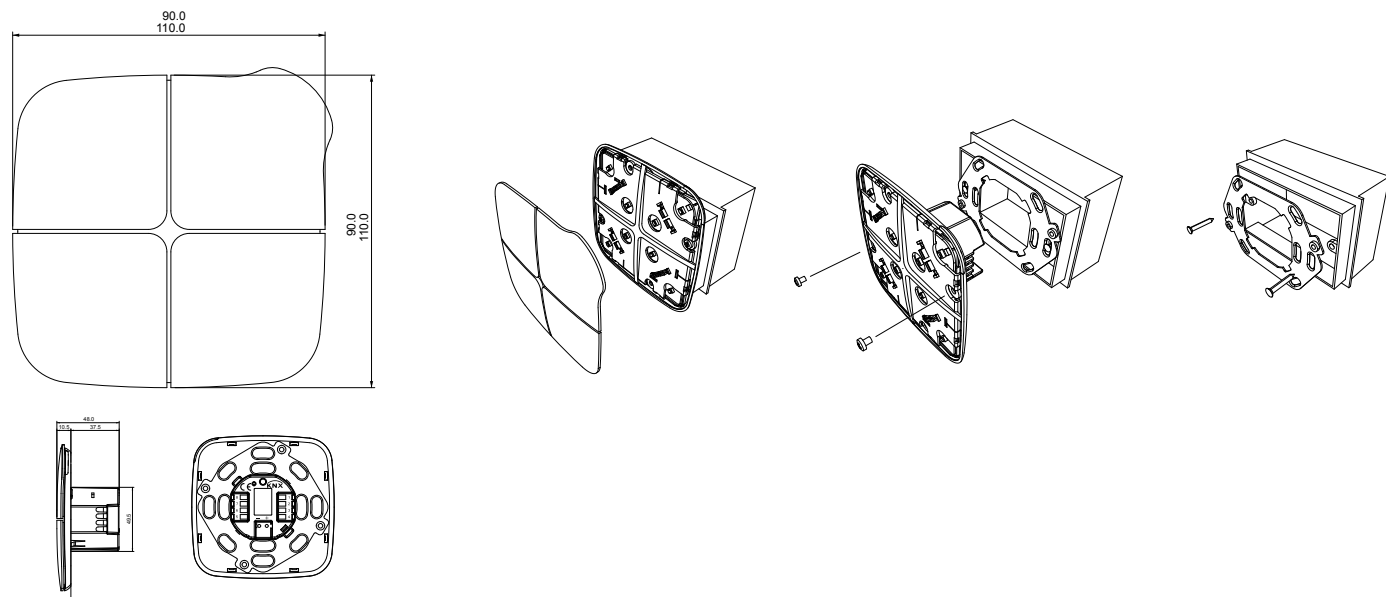
System Objects:

- Time / Date
- Brightness
- Temperature
- Alarm

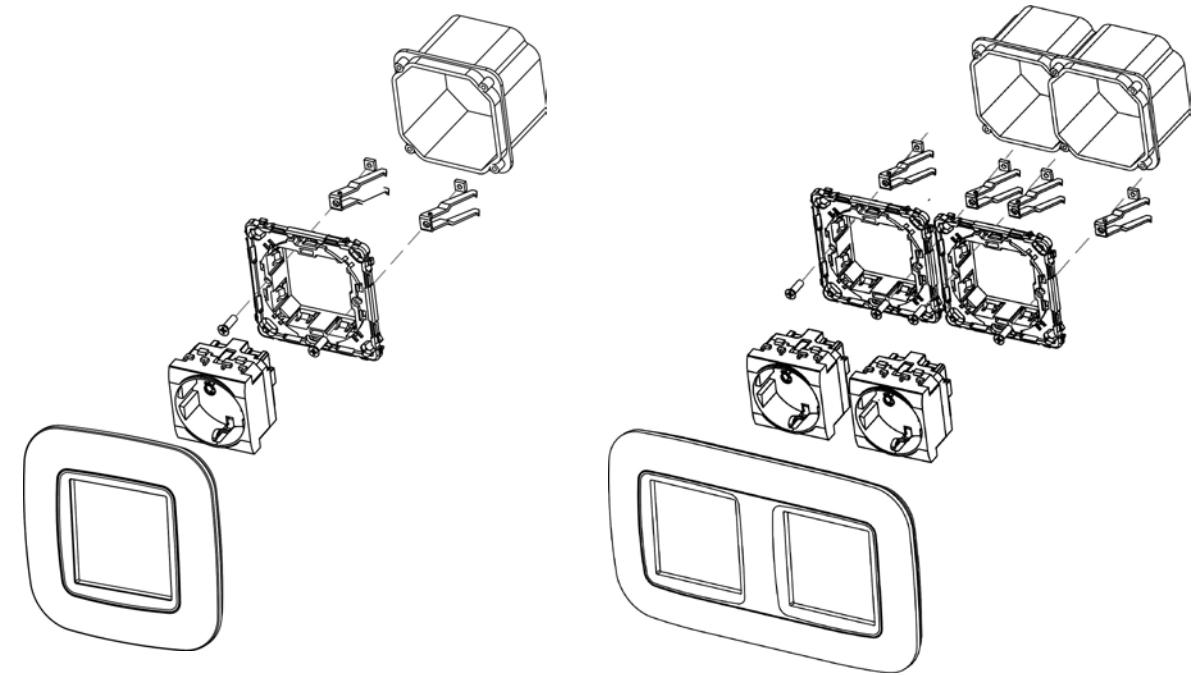
POWER SUPPLY FOR TOUCH PANEL

Codice	DIN Code	Power Supply	Output
PS00A11ACC	1,5 Mod	230 VAC	12 VDC 15W 6 Touch Panel
PS00A12ACC	4 Mod	230 VAC	12 VDC 30W 12 Touch Panel

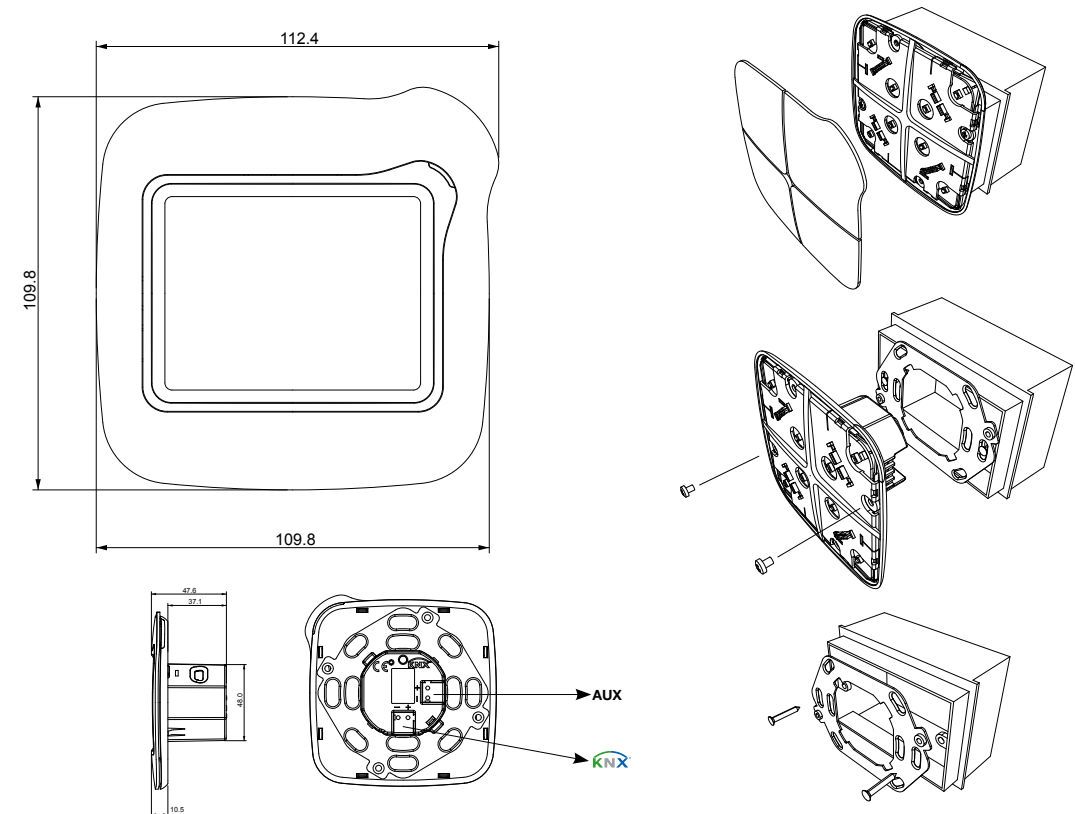
HomePads - MiniPads



Frames



Touch Panel



eelecta is based on standard 2 or 3 module boxes, horizontal or vertical mounted, and is compatible with the swiss, german and british standard.

eelecta - GlassPad
RESIDENTIAL

Synchronicity
HOSPITALITY

KNX Actuators
BUILDING

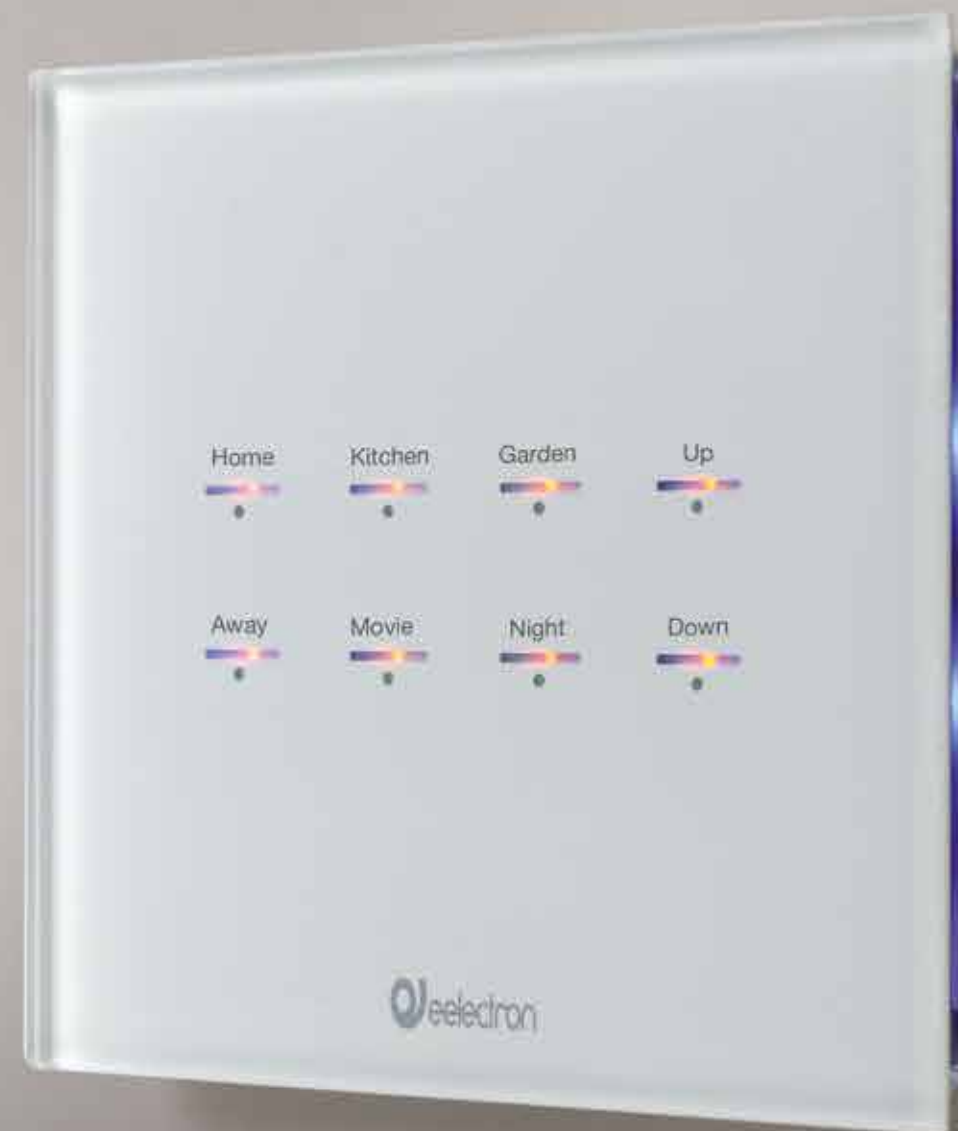


GlassPad

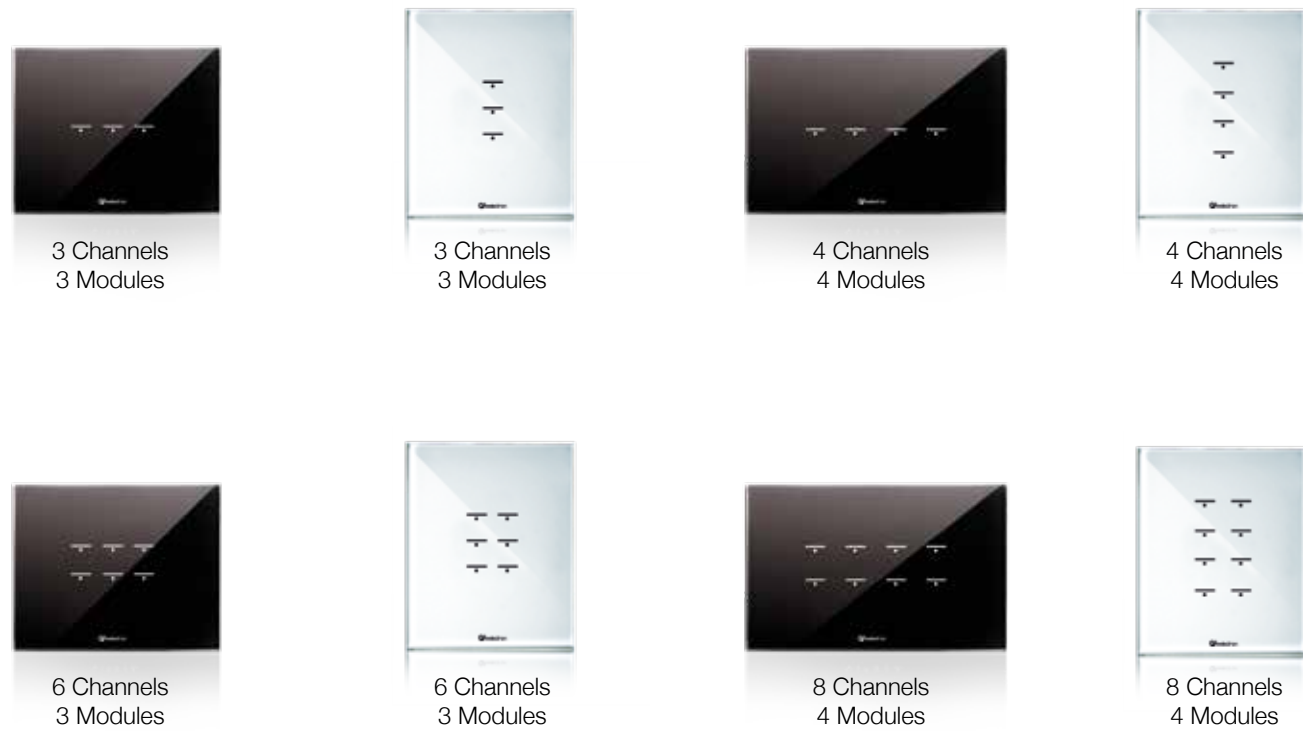
New line of switches with glass frame all in KNX.

Available in 4 different models:

- 3/6 channels on 3 module
- 4/8 channels in 4 module
- Horizontal or vertical installation.
- Innovative, elegant and easy to install.



Colours



- KNX BCU Embedded
- Blue night light Led

All in 

GLASS SWITCH KNX 3-6 CHANNELS (3 MODULES) / 4-8 CHANNELS (4 MODULES)

The GlassSwitch KNX is available in 2 colours (White and Black). This product include 4 different features: 3 and 6 channels on 3 modules inwall box or 4 and 8 channels on 4 modules inwall box. Every products of the range have led signalling for each channels and can be installed vertically or in horizontal. Pression on the switch can be long or shor and it can manage scenarios or sequences. The customizaiton of glass colour , textes and icons for residential and building field is available on demand. The products if fully programmable with ETS.

TECHNICAL FEATURES

- Capacitive KNX switch - 3 channels - 3 Modules
- Capacitive KNX switch - 6 channels - 3 Modules
- Capacitive KNX switch - 4 channels - 4 Modules
- Capacitive KNX switch - 8 channels - 4 Modules
- Capacitive glass switch - 3 channels - 3 Modules - Horizontal - white
- Capacitive glass switch - 3 channels - 3 Modules - Horizontal - black
- Capacitive glass switch - 3 channels - 3 Modules - Vertical - white
- Capacitive glass switch - 3 channels - 3 Modules - Vertical - black
- Capacitive glass switch - 6 channels - 3 Modules - Horizontal - white
- Capacitive glass switch - 6 channels - 4 Modules - Horizontal - black
- Capacitive glass switch - 6 channels - 3 Modules - Vertical - white
- Capacitive glass switch - 6 channels - 3 Modules - Vertical - Black
- Capacitive glass switch - 4 channels - 4 Modules - Horizontal - white
- Capacitive glass switch - 4 channels - 4 Modules - Horizontal - black
- Capacitive glass switch - 4 channels - 4 Modules - Vertical - white
- Capacitive glass switch - 4 channels - 4 Modules - Vertical - black
- Capacitive glass switch - 8 channels - 4 Modules - Horizontal - white
- Capacitive glass switch - 8 channels - 4 Modules - Horizontal - black
- Capacitive glass switch - 8 channels - 4 Modules - Vertical - white
- Capacitive glass switch - 8 channels - 4 Modules - Vertical - Black

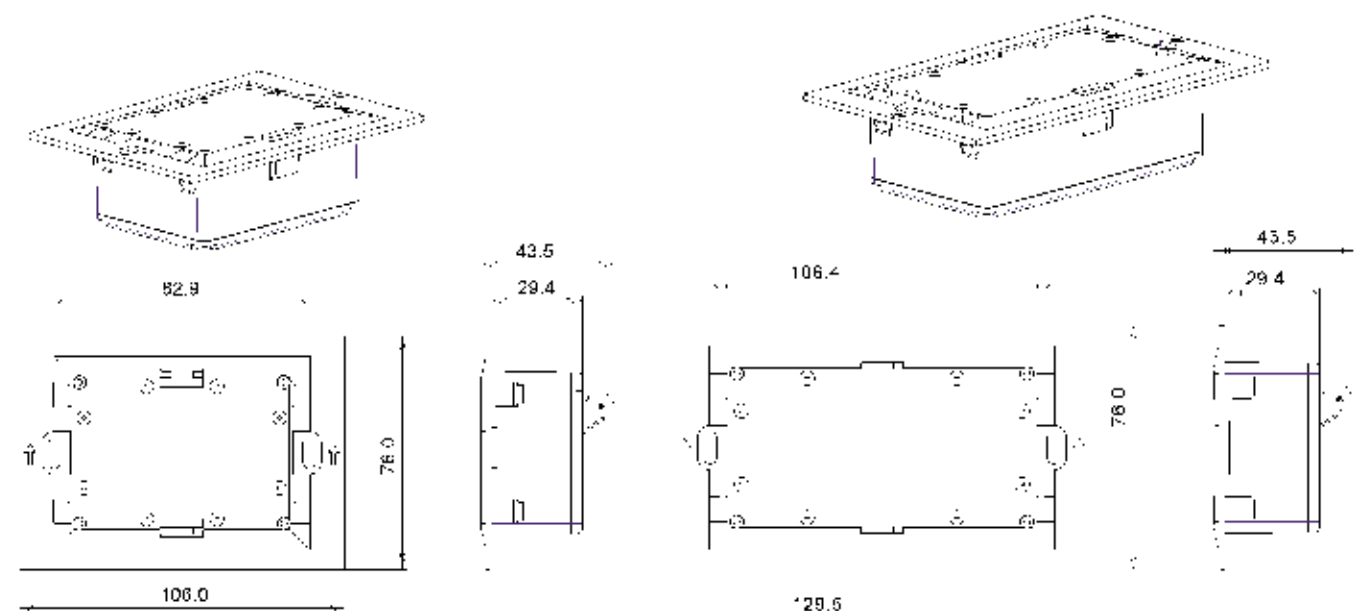
- GP03A03KNX
- GP06A03KNX
- GP04A04KNX
- GP08A04KNX
- GL03H03ACC-1
- GL03H03ACC-3
- GL03V03ACC-1
- GL03V03ACC-3
- GL06H03ACC-1
- GL06H03ACC-3
- GL06V03ACC-1
- GL06V03ACC-3
- GL04H04ACC-1
- GL04H04ACC-3
- GL04V04ACC-1
- GL04V04ACC-3
- GL08H04ACC-1
- GL08H04ACC-3
- GL08V04ACC-1
- GL08V04ACC-3

TECHNICAL FEATURES

- Dimensions**
 - 140 mm x 96 mm or 120 x 96 mm
- Mounting**
 - Inwall mounting on squared or round boxes
- Connection**
 - EIB/KNX bus connecting terminal 2 of 0.8 mmo
- Supply**
 - Through the wire EIB/KNX
 - Tension 21..30V DC
 - Current Consumption <10mA

- FEATURES Input**
 - Inputs: 3,4,6,8
- FEATURES Output**
 - Number: 3,4,6,8 white led

Technical Features



Features

The GlassPad is composed by 4 total models, all in KNX, that includes:

- 3 channels on 3 modules / horizontal or vertical
- 6 channels on 3 modules / horizontal or vertical
- 4 channels on 4 modules / horizontal or vertical
- 8 channels on 3 modules / horizontal or vertical

The whole range of products manages:

- Lights
- Dimmers
- Shutters/Blinds
- Scenarios
- Audio

Every products include amber led signaling for every channels. A blue led light surrounds and illuminates behind the GlassPad.

Safety

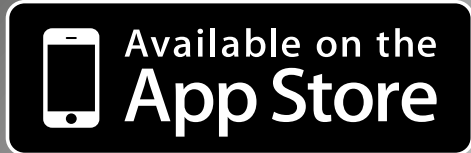
In order to ensure a long lasting product and maximum customer satisfaction Eelectron Spa uses only the premium quality of components and material.

Colours

The range is composed by 2 different colors - white or black - and can be personalized using icons, texts or logos.

Simplicity

A very quick and simple installations is one of the main feature of the new GlassPad from Eelectron Spa. The range can be installed on 3 or 4 modules in wall boxes.



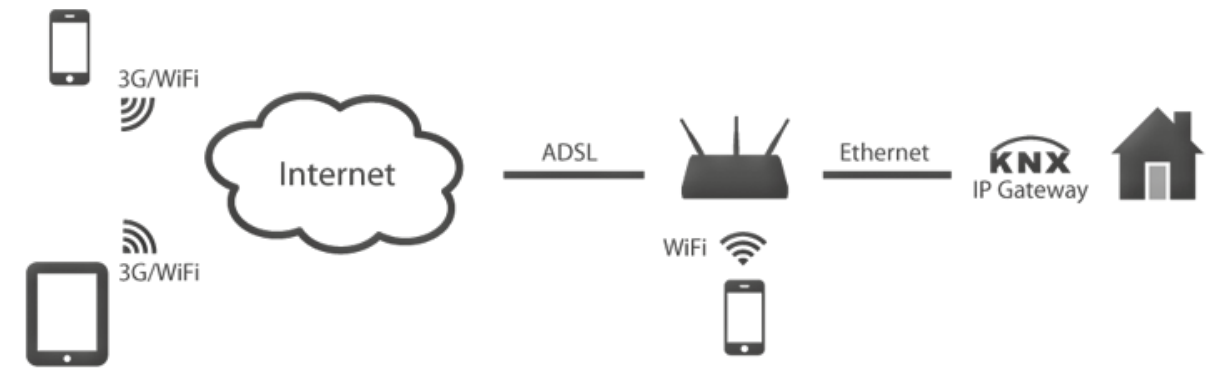
Fast. Intuitive. Anywhere.



in cooperation with



Technical features










KNX CONTROL FOR APPLE IOS AND ANDROID DEVICES

KNX application for Apple iOS and Android devices that allows you to control your home in a very fast and intuitive way. Control your KNX devices (lights, blinds, climate...), audiovisuals (tv, audio stations, dvd), door communication systems and ip cameras (Axis and Mobotix) wherever you are, in real time.

NO ADDITIONAL HARDWARE

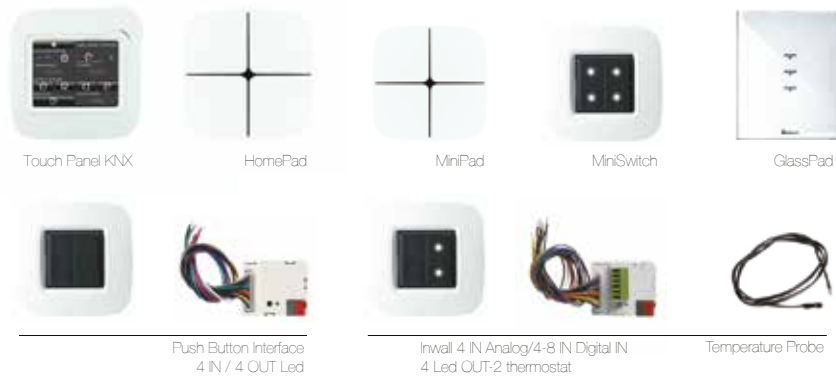
There is no need to buy an expensive server to control your KNX installation from an Apple iOS or Android device. It can be connects directly to a KNX IP Router or Gateway (KNXnet/IP compatible) as well as other IP devices.

MAIN FUNCTIONS

-  Lighting Control and Scenario set up
-  RGB Control
-  Blind management
-  Climate regulation
-  Door communication system viewer
-  Audio visuals and multimedia IR control
-  IP camera viewer

Solutions Integrations

User Interfaces & HVAC



Shutters and IR Control



Lighting and Scenarios



Load Management



Socket Plates



AC interfaces



Interfaced from **KNX** to

HVAC	Other protocols
Mitsubishi Electric	Airzone
Daikin	Modbus
Panasonic	LonWorks
Fujitsu	BACnet
Samsung	...
LG	
Toshiba	
Sanyo	
...	



Remote Control



Houseinhand KNX is an application for Apple iOS and Android devices that allows you to control your home in a very fast and intuitive way. Control your KNX devices (lights, blinds, climate...), audiovisuals (tv, audio stations, dvd), door communication systems and ip cameras (Axis and Mobotix) wherever you are, in real time.

No additional hardware required.



IOS and Android devices

Security

Interface to security and anti intrusion systems:

IESS
Elmo
INIM
...



Audio

Interface to security multi room audio systems:

Tutondo
Trivum
Sonos
Vivaldi
...



reddot design award winner 2012



Interior Innovation award 2011 Winner



DESIGN PLUS powered by light-building



Synchronicity is a range of products working on **KNX** standard, dedicated to **hotel and facility management**.

All the range is for both 2 modules round and squared inwall boxes or for 3 modules boxes.

The solution is integrated with **eSuite software** management tool and products for **temperature and HVAC control, lighting and load management** (input and output modules, digital/analog mixed modules, dimmers and shutters modules), **visualization and control** (touch panels, PDA), **communication** (gateways vs other protocols).

Design: Paolo Haigh Castiglioni

Everything on **KNX** protocol.

Synchronicity
Synchronise events - Synchronise colours

HotelManagement
More than 23.000 rooms installed worldwide.



Since our everyday living requires energy saving and cost control

Architects, designers and planners, follow our conception of home evolution and building automation.

Environmental needs are changing the standards of project design, with performing and challenging goals that require efforts to deliver to your clients long lasting economy and comfort values.

Following this effort, we have developed multifunctional applications starting from KNX technology: an open standard, programmed from a unique software tool, able to join independent systems in an interworking logic.

Used by many customers worldwide, our solutions combine aesthetic design, high performances and friendly usability for end users and professionals.

- Building Automation
- Hotel Management
- Home Evolution

Highlights of KNX solution

- A global standard
- Great flexibility thanks to distributed control and intelligence
- One only configuration software
- A single technology for installers and planners
- Easy Maintenance
- Security through the use of low-voltage power supplies
- Open to various communication medias

Since we want to live in an homy and environmental world

- Single or multiple lighting control
- Heating and air conditioning
- Blind and shutters control
- User dependent management of areas and functions
- Temporized and advanced scenarios
- Access Control
- Audio/Video system integration
- Alarms and Video Surveillance
- Intercom Audio and Audio/Video system

What are we delivering to our clients?

Integration

- HVAC System
- BMS System
- Billing (Fidelio, etc..)
- Lights (DMX, Dali..)

Room and Building Automation

- Access Control
- Energy Saving
- Temperature Control
- Lighting Control
- Automation
- Shutter Control
- Services
- External Area Control
- Common Area Management
- Special Functions (music/co2/energy metering etc.)

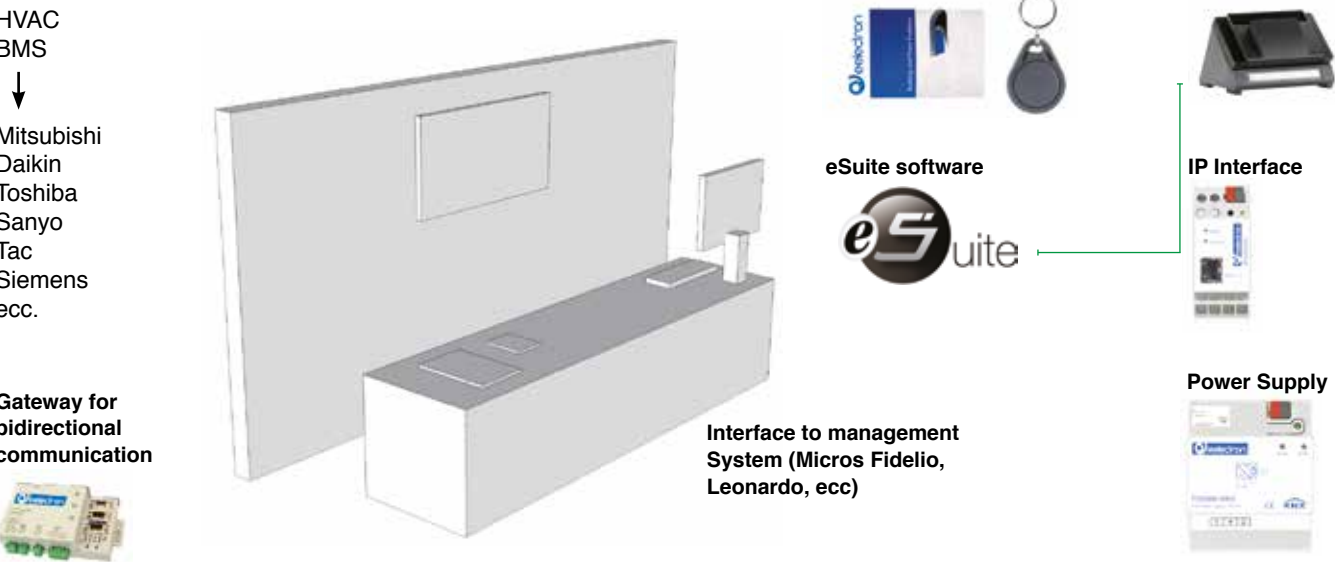
Supervision

- Automation
- Check in /Check out
- Supervision
- Room and Common Areas Control
- Pre-Heating Functions
- Alarm Log
- Transit Log
- Room to Clean

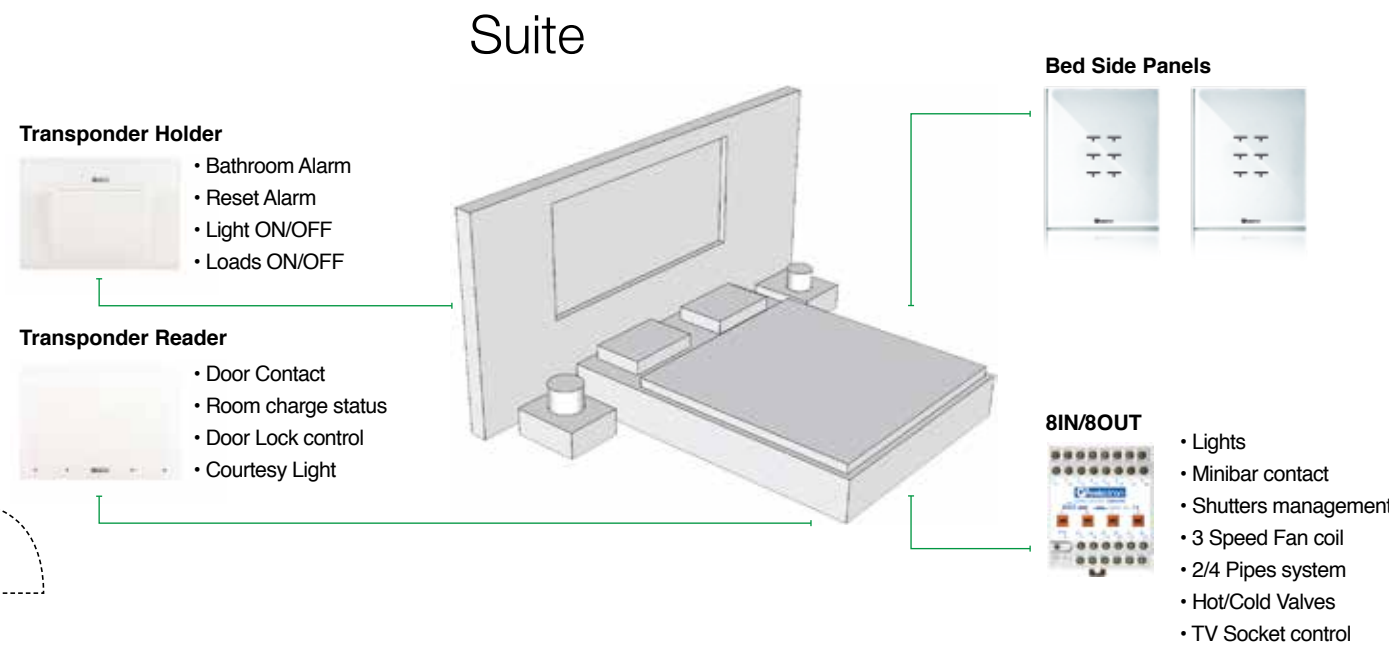
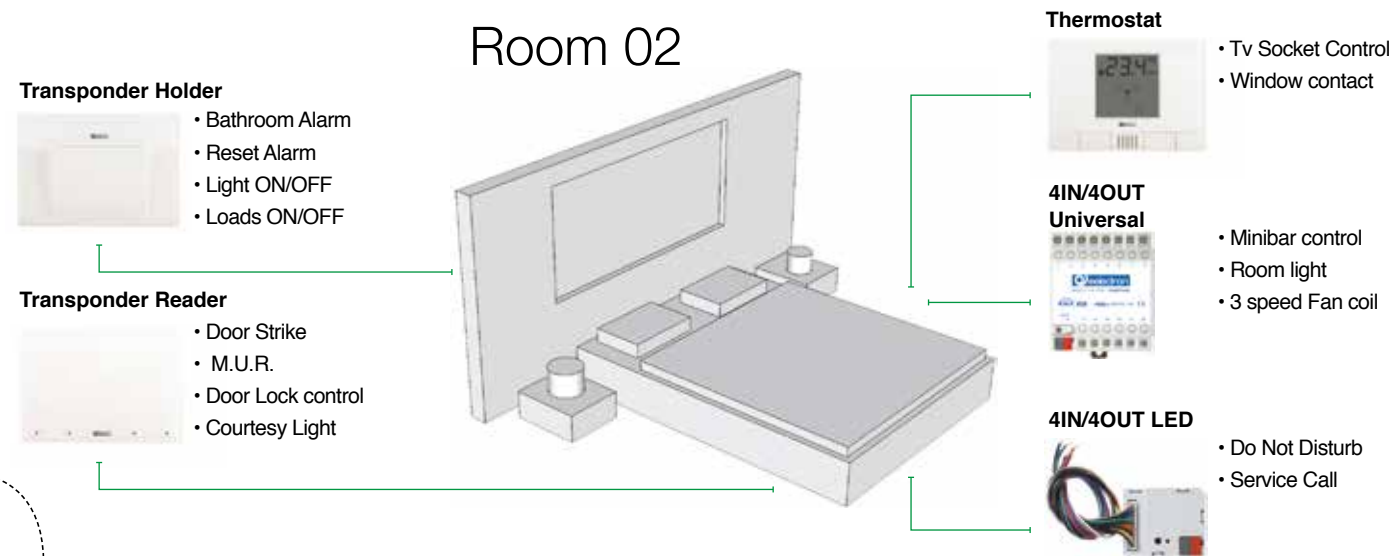
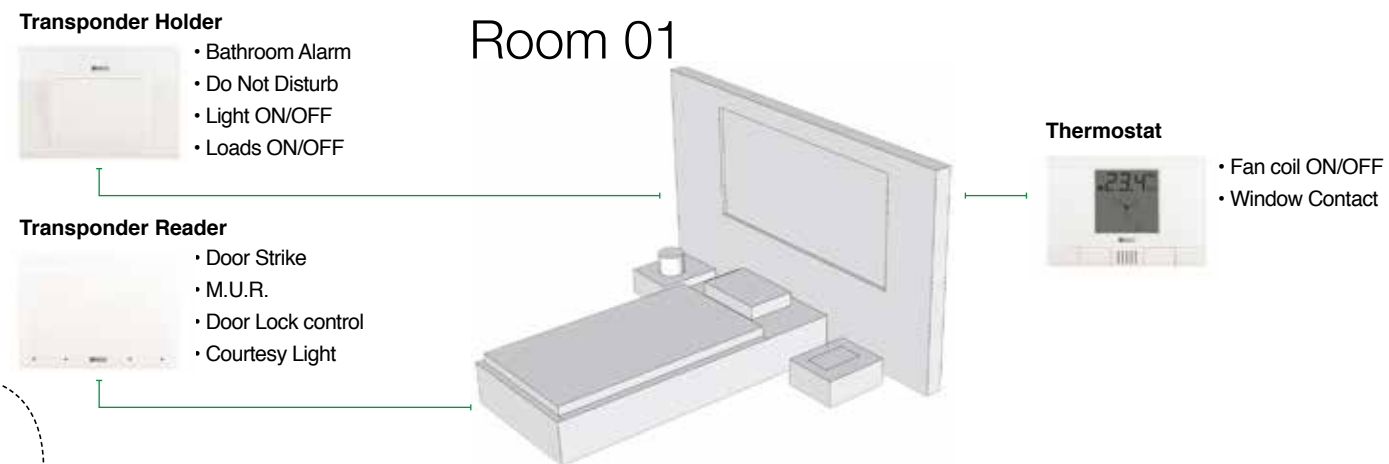
Our Hotel Solution

Electron has conceived the hotel as an integrated system where access control and room management is connected with common areas and temperature control and with interworking subsystems through hardware and software interfaces.

Reception

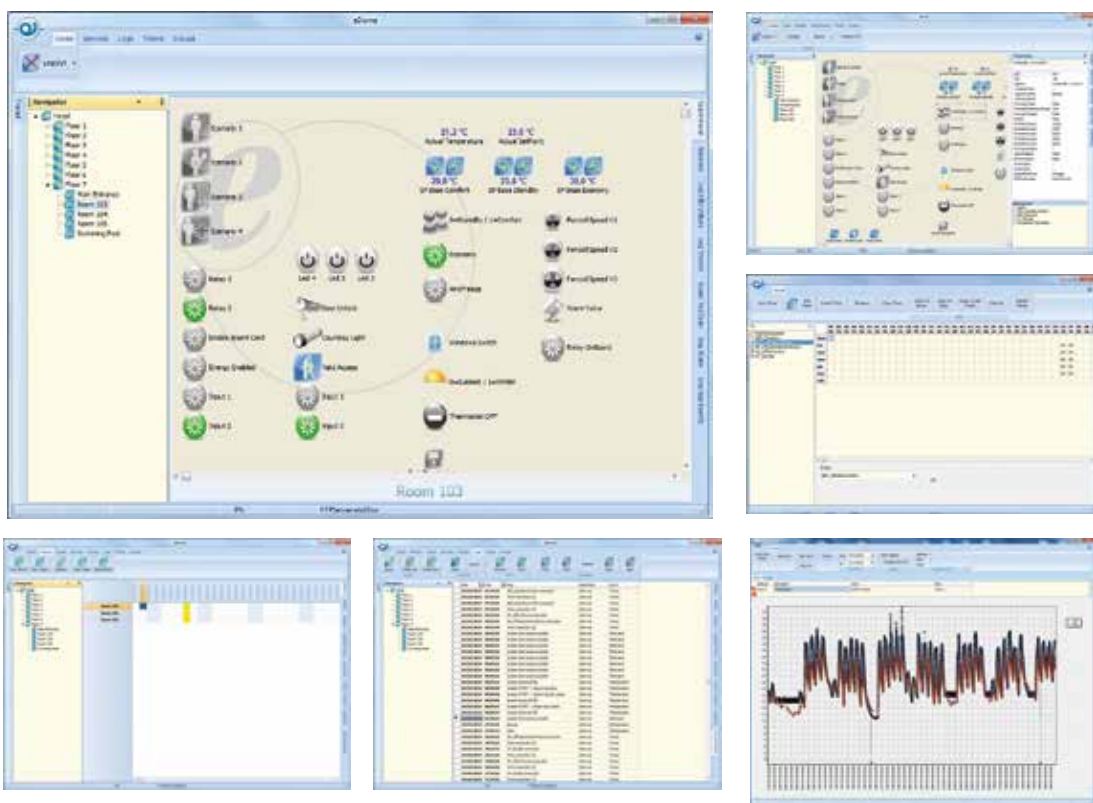


Room Management



eSuite SW Management

Software dedicated to supervision of KNX installation, hotel management and access control, alarms and utilities.
Modular, Flexible, Evolved.



Thermoregulation

THERMOSTAT 1 IN / 1 OUT



The TM11AxxKNX thermostat is an EIB / KNX device for temperature controlling applications in Home & Building Automation, and is characterized by the possibility of being mounted on inwall boxes of 2 or 3 modules, rectangular or round. It is available in a range of colours for plastic housing; glass finishes can be ordered separately, which allows you to match the thermostat to all types of environments. The thermostat has large LCD for displaying the current temperature or the setpoint, fan speed, summer / winter mode and the 4 operating status. The unit is equipped with a clean contact input which can be used for a window sensor or other devices, and an output relay to control the speed 1 of the fan coil or even a zone valve. The thermostat can also be configured for used in combination with an ON / OFF output module to control the three fan coil speeds. Control elements available to the user include two buttons for increasing or decreasing the setpoint temperature (current setting), and two buttons for increasing or decreasing the fan speed, or stopping the fan all together.

ORDER CODES

Thermostat 1 IN - 1 OUT - Light gray	TM11A01KNX
Thermostat 1 IN - 1 OUT - Anthracite	TM11A11KNX
Thermostat 1 IN - 1 OUT - White	TM11A21KNX

TECHNICAL FEATURES

Dimension

- Dimensions: (H x W x D) 78 x 110 x 39,8 mm

Mounting

- Inwall mounting on squared or round boxes

Connection

- EIB / KNX bus connecting terminal max 0.8 mm²
- Input screw clamp, conductor section max. 1,5 mm²
- Output relay screw clamp, conductor section max. 1,5 mm²

Supply

- From bus KNX 21..30 Vcc SELV

FEATURES Input

- Number: 1 ON/OFF clean contact
- Max length of connecting 10mt twisted cables
- Scanning voltage Un = 12V
- Scanning power In with locked contact = 1mA for channel
- Output relay specification
- Capacity of the relay contact 48 Vac, 1A AC1

TEMPERATURE PROBE 1 IN - 1 OUT



The TM11BxxKNX temperature probe is an EIB / KNX. It can be fitted in rectangular or round embedded boxes with 2 or 3 modules. The plastic housing is available in a range of different colours, and glass finishes can be ordered separately, allowing you to match the temperature probe with any type of design. A large LCD display on the temperature probe displays the current temperature and setpoint, fan speeds, heating mode / cooling mode, window and CO2 status. The device has a physical clean contact input and an output relay for general use. Control elements available to the user are two buttons to increase and decrease the setpoint temperature, a button for adjusting the fan coil fan speed, and a button for manually changing the status (comfort, standby). By pressing the first two-button simultaneously, you can change settings related to the CO2 parameter as well. By pressing the 3rd and 4th button simultaneously the device send 1 bit command.

ORDER CODES

Temperature Probe 1 IN - 1 OUT Light gray	TM11B01KNX
Temperature Probe 1 IN - 1 OUT Anthracite	TM11B11KNX
Temperature Probe 1 IN - 1 OUT White	TM11B21KNX

TECHNICAL FEATURES

Dimension

- Dimensions: (H x W x D) 78 x 110 x 39,8 mm

Mounting

- Mounting: inwall mounting on squared or round boxes

Connection

- EIB / KNX bus connecting terminal max 0.8 mm²
- Input screw clamp, conductor section max. 1,5 mm²
- Output relay screw clamp, conductor section max. 1,5 mm²

Supply

- From bus KNX 21..30 Vcc SELV

FEATURES Input

- Number: 1 ON/OFF clean contact
- Max length of connecting 10mt twisted cables
- Scanning voltage Un = 12V
- Scanning power In with locked contact = 1mA for channel
- Output relay specification
- Capacity of the relay contact 48 Vac, 1A AC1

TEMPERATURE PROBE 1 IN - 1 OUT



Glass Plate with support for TM11A series.

ORDER CODES

Silver	VTxxA01KNX
Black	VTxxA11KNX
White	VTxxA21KNX

THERMOSTAT 1 IN - 1 OUT WITH PLEXIGLASS PLATE



This version of the product TM11A completed with plexiglass plate in the same colour of the device. Same features of the version with glass plate.

ORDER CODES

Thermostat 1 IN - 1 OUT with plexiglass plate - Silver	TM11A09KNX
Thermostat 1 IN - 1 OUT with plexiglass plate - Black	TM11A19KNX
Thermostat 1 IN - 1 OUT with plexiglass plate - White	TM11A29KNX

TEMPERATURE PROBE 1 IN - 1 OUT WITH PLEXIGLASS PLATE



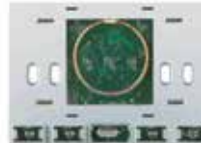
This version of the product TM11B completed with plexiglass plate in the same colour of the device. Same features of the version with glass plate.

ORDER CODES

Temperature Probe 1 IN - 1 OUT with plexiglass plate - Silver	TM11B09KNX
Temperature Probe 1 IN - 1 OUT with plexiglass plate - Black	TM11B19KNX
Temperature Probe 1 IN - 1 OUT with plexiglass plate - White	TM11B29KNX

Hotel system & Access control

TRANSPONDER READER 2 IN - 2 OUT



The Transponder Reader TR22AxxKNX is an EIB/KNX wall mounting device suitable to access control application. This device can be used in any kind of building (Hotel, Hospital, Offices, Parking, etc..) where the access control application is required. The device is equipped with two binary inputs (clean contacts) that can be used, for instance, to control the door status or other signals coming from external switches/contacts (i.e. windows, bathroom emergency alarms, etc..). The transponder reader is equipped also with two output relays which can be used for general purposes, typically to open the door or turning on the courtesy light inside the room. The product provides on the front side four LEDs in order to enlighten 4 icons to display the following states (e.g. in case of Hotel management): • Access Allowed/Not Allowed • SOS request • Service Call (clean room, etc..) • Client status ("Busy room" or "Do not Disturb") The LEDs and icons can be configured in association with other alarms or events. The transponder reader can read cards or keys at a maximum distance of 30mm from the front side.

ORDER CODES

Transponder reader 2 IN - 2 OUT Light gray	TR22A01KNX
Transponder reader 2 IN - 2 OUT Anthracite	TR22A11KNX
Transponder reader 2 IN - 2 OUT White	TR22A21KNX

TECHNICAL FEATURES

Dimensions

- (H x W. x D.) 78 x 110 x 37 mm

Mounting

- Inwall mounting on squared or round boxes

Connection

- EIB / KNX bus connecting terminal max 0.8 mm²
- Input and output screw clamps, conductor section max. 1,5 mm²

Supply

- From bus KNX 21..30 Vcc SELV
- Supplementary 12-24V AC/DC ± 10% 150mA Max

Control elements

- 1 red LED for ETS programming
- Frontal warning
- 1 LED : Access denied /allowed
- 3 LED : freely configurable

FEATURES Input

- 2 type ON/OFF clean contacts
- Max length of connection cable 10mt
- Output relay specification
- Number 2 with capacity of the contact relay: 24 VAC/DC 2 A AC1

TRANSFORMERS FOR ACCESS CONTROL

Codes	DIN	Supply	Output
PS00T10TRA	2 Mod	230 VAC	12/24 VAC 10VA
PS00T24TRA	3 Mod	230 VAC	12/24 VAC 24VA
PS00T40TRA	3 Mod	230 VAC	12/24 VAC 40VA

Hotel system & Access control

SUPPORT GLASS PLATE



Glass Plate with support for TR22A series

ORDER CODES

Support Glass Plate - Silver

VTxxA02KNX

Support Glass Plate - Black

VTxxA12KNX

Support Glass Plate - White

VTxxA22KNX

To be completed XX with the code glass colours.

TRANSPONDER READER 2 IN - 2 OUT WITH PLEXIGLASS PLATE



The version of Transponder Reader TR22A complete with plexiglass plate in the same colour of the device. Same features of the version with glass plate.

ORDER CODES

Transponder reader 2 IN - 2 OUT with Plexiglass Plate - Silver

TR22A09KNX

Transponder reader 2 IN - 2 OUT with Plexiglass Plate - Black

TR22A19KNX

Transponder reader 2 IN - 2 OUT with Plexiglass Plate - White

TR22A29KNX

TRANSPONDER READER WITH BELL 2 IN - 2 OUT



The Transponder Reader TR32Ax9KNX is an EIB/KNX wall mounting device suitable to access control application. This device can be used in any kind of building (Hotel, Hospital, Offices, Parking, etc..) where the access control application is required. The device is equipped with two binary inputs (clear contacts) that can be used, for instance, to control the door status or other signals coming from external switches/contacts (i.e. windows, bathroom emergency alarms, etc..) and with one frontal button freely configurable by ETS. The transponder reader is equipped also with two output relays which can be used for general purposes, typically to open the door or turning on the courtesy light inside the room. The product provides on the front side four LEDs in order to enlighten 4 icons to display the following states (e.g. in case of Hotel management): • Access Allowed/Not Allowed • SOS request • Service Call (clean room, etc..) • Client status ("Busy room" or "Do not Disturb") The LEDs and icons can be configured in association with other alarms or events. The transponder reader can reads cards or keys at a maximum distance of 30mm from the front side.

ORDER CODES

Transponder reader with bell 2 IN - 2 OUT - Silver

TR32A09KNX

Transponder reader with bell 2 IN - 2 OUT - Black

TR32A19KNX

Transponder reader with bell 2 IN - 2 OUT - White

TR32A29KNX

TECHNICAL FEATURES

Dimensions

- (H x W. X depth.) 78 x 110 x 37 mm

Mounting

- Inwall mounting on squared or round boxes

Connection

- EIB / KNX bus connecting terminal max 0.8 mm²
- Input and output screw terminals, wire section max. 1.5 mm²

Supply

- KNX bus 21 .. 30 VDC SELV
- Additional 12-24V AC / DC ± 10%, 150mA max

FEATURES

- 22 binary inputs for clear contacts
- Max length 10m cables
- 2 relay, contact rating 24 VAC / DC, 2 A AC1

Control elements

- 1 red LED for ETS programming
- Frontal warning
- 1 LED : Access denied /allowed
- 3 LED : freely configurable

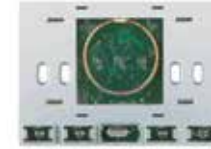
Inputs specifications

- Scanning power In with locked contact = 1mA per channel
- Output relay specification
- Number 2 with capacity of the contact relay: 24Vac 2 A AC1
- 1 button for ETS programming

Transformers for Access Control

Codes	DIN	Supply	Output
PS00T10TRA	2 Mod	230 VAC	12/24 VAC 10VA
PS00T24TRA	3 Mod	230 VAC	12/24 VAC 24VA
PS00T40TRA	3 Mod	230 VAC	12/24 VAC 40VA

EXTERNAL TRANSPONDER READER 2 IN - 2 OUT



The Transponder Reader TR22AxxKNX is an EIB/KNX wall mounting device suitable to access control application. This device can be used in any kind of building (Hotel, Hospital, Offices, Parking, etc..) where the access control application is required. The device is equipped with two binary inputs (clear contacts) that can be used, for instance, to control the door status or other signals coming from external switches/contacts (i.e. windows, bathroom emergency alarms, etc..) . The transponder reader is equipped also with two output relays which can be used for general purposes, typically to open the door or turning on the courtesy light inside the room. The product provides on the front side four LEDs in order to enlighten 4 icons to display the following states (e.g. in case of Hotel management): • Access Allowed/Not Allowed • SOS request • Service Call (clean room, etc..) • Client status ("Busy room" or "Do not Disturb") The LEDs and icons can be configured in association with other alarms or events. The transponder reader can reads cards or keys at a maximum distance of 30mm from the front side. IP Protection 42.

ORDER CODE

External Transponder Reader 2 IN - 2 OUT

TR22A11KNX-EXT

TECHNICAL FEATURES

Dimensions

- (H x W x D) 78 x 110 x 37 mm

Mounting

- Inwall mounting on squared or round boxes Ø60mm

Connection

- EIB / KNX bus connecting terminal max 0.8 mm²
- Input and output screw clamps, conductor section max. 1,5 mm²

FEATURES

- 1 red LED for ETS programming
- Frontal warning
- 1 LED : Access denied /allowed
- 3 LED : freely configurable

Input specification

- 2 type ON/OFF clear contacts
- Max lenght of connection cable 10mt
- Scanning voltage Un = 12V internally generated
- Scanning power In with locked contact = 1mA per channel
- Ouput relay specification
- Number 2 with capacity of the contact relay: 24Vac 2 A AC1

Control elements

- 1 button for ETS programming

Transformers for Access Control

Codes	DIN	Supply	Output
PS00T10TRA	2 Mod	230 VAC	12/24 VAC 10VA
PS00T24TRA	3 Mod	230 VAC	12/24 VAC 24VA
PS00T40TRA	3 Mod	230 VAC	12/24 VAC 40VA

PLEXIGLASS PLATE FOR EXTERNAL TRANSPONDER READER 2 IN - 2 OUT



Plexiglass Plate for the code TR22A11KNX-EXT

ORDER CODES

Plexiglass plate for External Transponder Reader 2IN - 2 OUT - Black **PX15A14ACC**

Plexiglass plate for External Transponder Reader 2IN - 2 OUT - White **PX10A24ACC**

SYNCHRONICITY CUSTOMIZATION

On demand is possible customize the frames (glass or plexi) for the codes TR22A and TH22A (es. Hotel Logo,number of room...).



Icons



Hotel Logo



Room number

Hotel system & Access control

TRANSPONDER HOLDER 2 IN - 2 OUT



The Transponder Holder TH22AxxKNX is an EIB/KNX wall mounting device suitable to access control application. It can be used for detecting and monitoring the presence of customers or service staff in a room. The device is equipped with two binary inputs (clear contacts) that can be used, for instance, to control the door status or other signals coming from external switches/contacts (i.e. windows, bathroom emergency alarms, etc.). On the front of the transponder holder there is a blue light that is useful to help the guest to insert card in the device. Removing the card, after a programmable time, all the room services are switched off to preserve energy.

ORDER CODES

Transponder Holder 2 IN - 2 OUT - Light Gray	TH22A01KNX
Transponder Holder 2 IN - 2 OUT - Anthracite	TH22A11KNX
Transponder Holder 2 IN - 2 OUT - White	TH22A21KNX

TECHNICAL FEATURES

Dimensions

- v(H x W. x D.) 78 x 110 x 37 mm

Mounting

- Inwall mounting on squared or round boxes

Connection

- EIB / KNX bus connecting terminal max 0.8 mm²
- Input and output screw clamps, conductor section max. 1,5 mm

Supply

- From bus KNX 21..30 Vcc SELV
- Supplementary 12-24V AC/DC ± 10% , max 150mA

Input specification

- 2 type ON/OFF clean contacts
- Max lenght of connection cable 10mt

Output relay specification

- Number 2 with capacity of the contact relay: 24 VAC/DC 2 A AC1

Control elements

- 1 blue guiding light
- 1 button for ETS programming

Transformers for Access Control

Codes	DIN	Supply	Output
PS00T10TRA	2 Mod	230 VAC	12/24 VAC 10VA
PS00T24TRA	3 Mod	230 VAC	12/24 VAC 24VA
PS00T40TRA	3 Mod	230 VAC	12/24 VAC 40VA

SUPPORT GLASS PLATE



Glass Plate with support for TH22A series.

ORDER CODES

Silver	VTxxA03KNX
Black	VTxxA13KNX
White	VTxxA23KNX

TRANSPONDER HOLDER 2 IN - 2 OUT WITH PLEXIGLASS PLATE



This version of the product TH22A completed with plexiglass plate in the same colour of the device. Same features of the version with glass plate.

ORDER CODES

Transponder Holder 2 IN - 2 OUT with plexiglass plate - Silver	TH22A09KNX
Transponder Holder 2 IN - 2 OUT with plexiglass plate - Black	TH22A19KNX
Transponder Holder 2 IN - 2 OUT with plexiglass plate - White	TH22A29KNX

TRANSPONDER ENCODER



The card encoder is a device that writes / reads RFID tag. The device is fitted in a table container with 3 modules, equipped with a USB interface that also provide the power supply. The device is provided with a driver to allow writing and reading functionality.

ORDER CODES

Transponder Encoder	TE00A01KNX
---------------------	-------------------

TECHNICAL FEATURES

Dimensions

- H x W x D: 87 x 142 x 107 mm

Mounting

- Placed on desk

Connection

- USB type A connector

Power

- From the PC's USB port: 5V - 150mA

Communication

- USB 1.1

Warnings

- Blue light showing running process

ESUITE SOFTWARE



eSuite software is dedicated to the hotel management, to oversee KNX and environments for access control and alarms. Management software and interfaced with other software. Client remote management via the Internet or Ethernet. The package is also available with hardware version.

ORDER CODES

eSuite licences to be integrate with room/ zones	SW00D01KNX
eSuite package 5 rooms / zones (MAX 200 rooms / zones)	SW00D02KNX
eSuite additional client	SW00D03KNX
eSuite interface to management systems	SW00D04KNX
Embedded PC with eSuite - until 10 rooms - complete - 2 clients	SW01D05KNX
Embedded PC with eSuite - until 25 rooms - complete - 2 clients	SW02D05KNX
Embedded PC with eSuite - until 40 rooms - complete - 2 clients	SW03D05KNX
Embedded PC with eSuite - until 100 rooms - complete - 2 clients	SW04D05KNX
Embedded PC with eSuite - until 150 rooms - complete - 2 clients	SW05D05KNX
Embedded PC with eSuite - until 200 rooms - complete - 2 clients	SW06D05KNX
Upgrade rack PC	SW07D05KNX

TECHNICAL FEATURES

- Number of rooms / common area according to installed license.
- Client workstation accordin to installed license
- Profiling privileges unlimited
- Using KNX functions of timing events available

Generation KNX groups of objects available

- Automatically import object available from ETS KNX
- Automatically back up data available**
- Use filters to search event logs available
- Export data into CSV files / XLS / DOC available
- Connection to the bus using Falcon library
- PMS connection available

TRANSPONDER CARDS AND KEY HOLDER



ORDER CODES

Transponder Cards Blank - 50 pcs	CD00A02TRC
Transponder Cards Blank - 250 pcs	CD00A03TRC
Transponder Keyholder - 50 pcs	CD00B02TRC

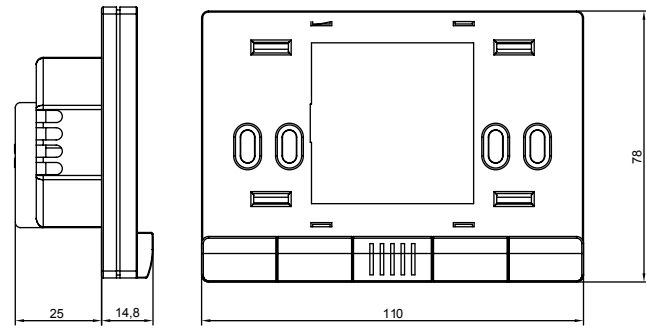
Dimensions and characteristics of the Card

- Complies with ISO 7810 (85.6 x 54 x 0.76 mm)
- Possibility of serigraphy on both sides (on request)
- Dual technology version (RFID and magnetic stripe on request)

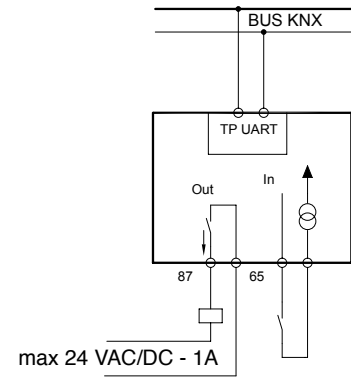
Dimensions and characteristics of Key chains

- Dimensions and Material: ABS 38 x 34 x 6 mm
- Frequency: 125KHz-
- Temperature: from -10°C to 50°C

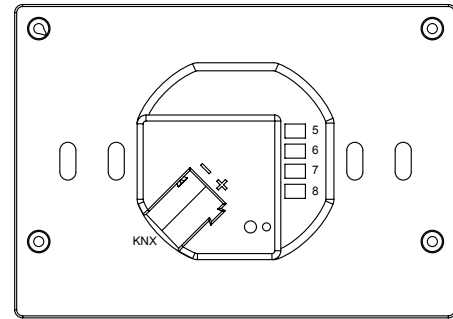
THERMOSTAT & TEMPERATURE PROBE



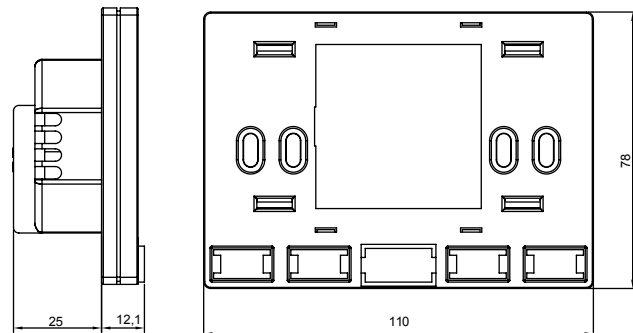
TM11A01KNX - TM11A11KNX - TM11A21KNX
TM11B01KNX - TM11B11KNX - TM11B21KNX



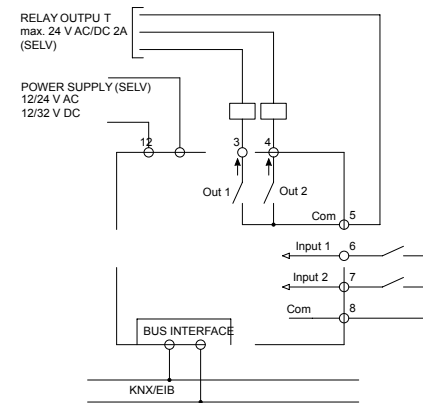
TM11A01KNX - TM11A11KNX - TM11A21KNX



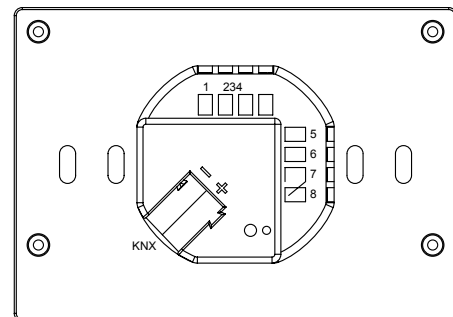
TRANSPONDER READER & HOLDER



TR22A01KNX - TR22A11KNX - TR22A21KNX
TH22A01KNX - TH22A11KNX - TH22A21KNX



TR22A01KNX - TR22A11KNX - TR22A21KNX
TH22A01KNX - TH22A11KNX - TH22A21KNX



Colours Range

PLEXIGLASS RANGE



Transponder reader white **TR22A29KNX**



Transponder holder white **TH22A29KNX**



Thermostat white **TM11A29KNX**



Transponder reader silver **TR22A09KNX**



Transponder holder silver **TH22A09KNX**



Thermostat silver **TM11A09KNX**



Transponder reader black **TR22A19KNX**



Transponder holder black **TH22A19KNX**



Thermostat black **TM11A19KNX**



Temperature probe white **TM11B29KNX**

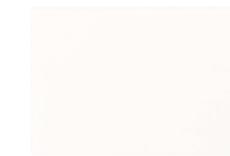


Temperature probe silver **TM11B09KNX**



Temperature probe black **TM11B19KNX**

GLASS RANGE



Glass **VT12** Oyster White



Glass **VT15** Black



Glass **VT23** Iron



Glass **VT24** Gold



Multifunctional 8 IN / 8 OUT

Available inputs for digital contacts

Multifunctional 4 IN / 4 OUT

Compact Dimensions - 4 module

IO88E01KNX - IO44E01KNX

- Each output can be configured independently for lights
- ON / OFF or continuous switching (PWM) for electric valves
- Roller shutters and blinds motor reductor
- Fan Coil Actuator for 2/4 pipes systems for heating/cooling with 3 speed motors)

Configuration range:

- 8 lights
- 4 lights - 2 shutters
- 4 shutters
- 8 traditional switches

Inwall 4 Analog IN or 4/8 Digital In - 4 Led Out Module



AD84A02KNX

- 4 digital inputs to interface free potential contacts
- 4 led output channels at low voltage that can drive LED for synoptics panels or switches
- 4 analog/digital inputs for free potential contacts or temperature sensors

Configuration range:

- 8 input switch interface - 4 led output
- 2 local thermostats - 6 switches - 4 led output
- 4 thermostats sensor - 4 switches - 4 led output
- 2 local thermostats - 2 sensors - 4 led output - 4 switches

Inwall 3 IN - 2 Digital - 1 Analog / 2 Out module - With IR receiver



IO32D01KNX

- 1 analog input for temperature probe
- 2 relay output at 8A for lights (2), shutters (1), valves (on/off or pwm)
- 2 digital inputs for switches.
- IR Receiver Connection

Configuration range:

- 2 lights - 1 thermostat - 2 switches
- 2 valves - 1 thermostat - 2 switches
- 1 shutter - 1 thermostat - 2 up down switch
- 1 light - 1 valve - 2 switches - 1 thermostat
- 2 lights - 2 switches - 1 IR receiver
- 1 shutter - 2 switches - 1 IR receiver

Competition Bites?



Kombat

Universal Actuators 4 / 8 / 12 OUT

First **quality** products for **added value solutions.**

ACTUATORS - INTERFACE - PRESENCE SENSOR KNX



PUSH BUTTON INTERFACE 2 IN - 2 OUT LED / PUSH BUTTON INTERFACE 4 IN - 4 OUT LED

The product is dedicated to interface of clean contacts with 2 or 4 input channels, such as sensors, traditional buttons and 2 or 4 low voltage/current output channels to drive LED signal indicator lamps. The inputs can be configured for most common applications: actuators, dimmers, shutters and scenarios.

ORDER CODES

Push Button Interface 2 IN - 2 OUT LED
Push Button Interface 4 IN - 4 OUT LED

IO22C02KNX
IO44C02KNX

TECHNICAL FEATURES

Dimensions

- H: 43 x W: 36 x D: 17 mm

Mounting

- Fit in all standard derivation boxes: 2-3 modules rectangular and round

Connection

- Bus line: 2 bus connection terminals, max wire section: 0,8mm²
- Inputs and outputs: 12-pin plug connector wired with 0,2 mm²

Supply

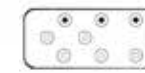
- From the KNX bus 21 .. 30 VDC SELV power consumption <10mA

Specific inputs

- 2 or 4 digital inputs for clean contacts
- Maximum length 10 meters twisted cables

Specific outputs

- 2 / 4 outputs for driving LED - Max 0.5 mA each



RC01A01IRC
IRC Device



IR00A01ACC
IRX Cabling



TS01A01ACC
Temperature probe



TS01B01ACC
External temperature probe

INWALL MODULE 3 INPUT /2 OUTPUT

IO32D01KNX module includes: • 2 digital inputs • 1 analog input • 2 relay output (bistable). Digital inputs are intended to be connected to free potential contacts and can interface sensors, traditional buttons, etc; they can be used to on/off commands, dimming, shutter control, scene recall and control, sequences of 3 objects. Analog input, can manage one temperature probe (with On/Off threshold) or one thermostats to control heating and cooling equipments, valves, 2 and 4 pipes fan coils; etc.. Analog input, alternatively to the temperature sensor, can manage a Infrared Receiver (IRX) in order to forward to the bus up to 8 channel coming from a Infrared Remote Control (IRC) with on/off commands, scenes, sequences of 2 objects, dimmer and shutter. Outputs include switching function with timed delays, stair-case function, scene recall, lock or logic function.

ORDER CODE

Inwall Module 3 IN /2 OUT

IO32D01KNX

TECHNICAL FEATURES

Dimensions

- 52 x 28 mm Weight: approx. 50 g

Supply

- Via bus EIB/KNX cable
- Voltage 21..30V DC
- Current Consumption EIB/KNX < 10mA

Digital Input

- For free potential contacts (dry contacts)
- Max. length of Connecting Cable: ≤ 30 m (twisted cable)
- Voltage Scanning: 3,3 V DC (internally Generated)
- AWG24 cables with 1800 mm length

Analog Input for temperature probe

- For NTC temperature probe eelectron code
- TS01A01ACC (range from -20°C to +100°C)
- TS01B01ACC (range from -50°C to +60°C)
- Max. length of Connecting Cable: ≤ 20 m (twisted cable)

Analog Input for Infrared Receiver (IRX)

- These accessories must be used:
- IR01A01ACC (IRX with cable and connector)
- RC80A01IRC (IR remote control 8 channels)

Outputs

- 10 A cos 1 - 230 Vac
- Max capacitance @230V: 21µF 5.000 cycles
- Incandescent lamps max load: 1500W 50.000 cycles
- Fluorescent lamps max load: 6 x18W 25.000 cycles
- Halogen lamps max load: 500W 50.000 cycles
- Gas discharge lamps max load: 200W 25.000 cycles



INWALL 8 INPUT - 4 LED OUTPUT MODULE

AD84A02KNX module includes 4 digital inputs to interface clean contacts and 4 analog or digital inputs for clean contacts or temperature sensors and 4 led outputs. Digital inputs can interface sensors, traditional buttons, etc; 4 low voltage/current output channels to drive LED signal indicator lamps. Inputs 5 to 8, set as analog inputs, enable up to 2 temperature probes (with On/Off threshold) and 2 thermostats to control heating and cooling equipments, valves, 2 and 4 pipes fan coils.

ORDER CODE

Inwall 8 Input - 4 Led Output Module

AD84A02KNX

TECHNICAL FEATURES

Dimensions

- H 43 x W 36 x D 24 mm

12 Channels Configurable as:

- [01 ÷ 04] 4 digital inputs (clean contacts)
- [05 ÷ 08] 4 digital or analog inputs (for clean contacts or temperature sensors)
- [09 ÷ 12] 4 digital outputs (outputs for LED)

Digital Input - Key Features:

- 8 channels [01 ÷ 08] for clean contacts
- Maximum length 30 m twisted wires - input [01 ÷ 04]
- Maximum length 10m of twisted wires - inputs [05 ÷ 08]
- Wired with 0,2 mm² - 18 cm length - inputs [01 ÷ 04]
- Connection through 6-pin screw terminal - inputs [05 ÷ 08]
- Blinds and shutters control
- Scenarios

Analog Inputs - Key Features:

- 4 Channels [05 ÷ 08] Configurable as temperature sensor with Eelectron NTC sensor (cod.TS01A01ACC & TS01B01ACC)
- 2 Channels [05 ÷ 06] Configurable as thermostat

Digital Outputs - Key Features:

- 4 outputs for driving LED 0.3 mA / channel
- Use with LED Eelectron (Code LD00A01ACC / LD00A11ACC)
- Wired with 0,2 mm² 18 WNG - inputs [01÷ 04]

Heating and cooling modes

- Command with HVAC mode or setpoint
- Setpoint modification through bus
- 2 points ON / OFF and PWM control algorithm
- 3-speeds fancoil control
- OFF mode on window open detection



TS01A01ACC
Temperature probe



TS01B01ACC
External temperature probe

ACTUATORS - INTERFACE - PRESENCE SENSOR KNX

UNIVERSAL MODULE 4 / 8 OUT



The DIN RAIL 4 and 8 Output Modules BO04A01KNX - BO08A01KNX are an EIB/KNX DIN rail mounting devices useful to interface loads (e.g. lamps) for any kind of applications.

Devices has 4 or 8 outputs on board can be configured:

- Each output can be configured independently for load control
- Each output can be configured independently for ON/ OFF or continuous switching (PWM) for Electric valves (solenoid actuators)
- Outputs can be configured in pairs for the management of roller shutters and blinds; up to 2 channels (Channels A to B)
- Outputs can be configured in pairs for management

Of Motor Reductor or for solenoid valves with 3-point control or for ventilating grille; up to 2 or 4 channels (Channels A to B)

- Fan Coil Actuator for 2/4 pipes systems for Heating / Cooling with 3 speed motors) (uses relay from 1 to 5) only for the model BO08A01KNX. Device is intended to be installed on DIN rail.

ORDER CODES

Universal Module 4 OUT

Universal Module 8 OUT



TECHNICAL FEATURES

Dimensions

- (W x H x D): 72 x 90 x 58 mm

Mounting

- 4 modules DIN

Connection

- Outputs: 2 screw connectors by channel max 4mm²

BO04A01KNX

BO08A01KNX

Supply

- From KNX bus 21..30 V DC SELV

Features relay outputs:

- Resistive: max 16 A
- Incandescent Lamps: max 10 A
- Motors and motor reducers : max 10 A
- Fluorescent lighting transformer electronic: max 4 A
- Fluorescent lamps: (max 140 µF) max 3 A (700W)

UNIVERSAL MODULE 12 OUT



BO12A01KNX is a Din Rail 12 output 16 A actuator, it can be used to control up to 12 independent loads / lights , control up to 6 independent blind / roller shutters with mechanical end position. This device is intended to be installed on DIN rail.

ORDER CODES

Universal Module 12 OUT

TECHNICAL FEATURES

Dimensions

- (W x H x D): 90 x 159 x 58 mm

Mounting

- 9 modules DIN

Supply

- From KNX bus 21..32 V DC SELV
- Current Consumption <10mA

BO12A01KNX

Features relay outputs:

- Resistive: max 16 A
- Incandescent Lamps: max 10 A
- Motors and motoreductor : max 10 A
- Fluorescent lighting transformer electronic: max 4 A
- Fluorescent lamps: (max 140 µF) max 3 A (700W)

UNIVERSAL 4 IN - 4 OUT C-LOAD



The DIN RAIL 4 Input / 4 Output Modules IO44B02KNX-C is an EIB/KNX DIN rail mounting device useful to interface commands (e.g. push buttons) or loads (e.g. lamps) for any kind of applications.

The device is equipped with 4 binary inputs (clean contacts) and 4 relay outputs suitable for capacitive loads (-C code).

Inputs can be configured to conventional switching devices, e.g. push buttons, switches, floating contacts, for switching functions with pulse edge evaluation (e.g. rising or falling edge, toggle, etc...). Inputs can be configured as output channels to drive LED in synoptic monitoring panels. Inputs can be used as switch, dimming, shutter control, scenarios; outputs include switching function, scenarios, logic functions.

Outputs can act as interlocked channels; this function may be used to drive fan coils with 2-pipes / 3 speeds or 4-pipes / 2 speeds. Devices are intended to be installed on DIN rail.

ORDER CODE

Universal 4 IN / 4 OUT C-Load

IO44B02KNX-C

TECHNICAL FEATURES

Dimensions

- (W x H x D): 72 x 90 x 58 mm
- Mounting width: 4 DIN modules (1 SU=18 mm)

Connection

- Bus line, bus connecting terminal, wire max section 0,8mm²
- Outputs: 2 screw connectors by channel max section 4 mm²
- Inputs: 3 connectors every 2 inputs, max. section 4 mm²

Power Supply

- From KNX Bus 21..30 V DC SELV

Features

- 4 binary inputs for clean contacts
- Max length 30m twisted cables

Features relay outputs

- Resistive: 16 A Max
- Incandescent lamps: 10 A Max
- Motors and motor reducers: 10 A Max
- Fluorescent lighting transformer. Electronic: 6 A Max
- Fluorescent lamps (Max. 140 µ) (700W Max)

UNIVERSAL 8 IN - 8 OUT C-LOAD



The DIN RAIL 8 Input / 8 Output Module IO88B02KNX-C is an EIB/KNX DIN rail mounting device useful to interface commands (e.g. push buttons) or loads (e.g. lamps) for any kind of applications. The device is equipped with 8 binary inputs (clean contacts) and 8 relay outputs. Inputs can be connected to conventional switching devices, e.g. push buttons, switches, floating contacts, for switching functions with pulse edge evaluation (e.g. rising or falling edge, toggle, etc...). Inputs can be configured as output channels to drive LEDs in synoptic monitoring panels.

Inputs can be used to for switch, dimming, shutter control, scenarios; outputs include switching function, scenarios, logic functions. Relay from 5 to 8 are equipped with manual command and can be switched manually.

Device is intended to be installed on DIN rail.

ORDER CODE

Universal 8 IN - 8 OUT C-Load

IO88B02KNX-C

TECHNICAL FEATURES

Dimensions

- (W x H x D): 72 x 90 x 58 mm
- Mounting width: 4 DIN modules (1 SU=18mm)

Mounting

- Bus Line: 2 Terminal of bus connection , Max section 0,8mm²
- Outputs: 2 screw terminals by channel max. section 4 mm²
- Inputs: 3 screw terminals every 2 inputs, max. section 4 mm²

Supply

- From Bus KNX 21..30 V DC SELV

Features

- 8 binary inputs for potential-free contacts
- Max length 30m twisted cables

Features relay outputs

- Resistive: 16 A Max
- Incandescent lamps: 10 A Max
- Motors and motor reducers: 10 A Max
- Fluorescent lighting transformer. Electronic: 6 A Max
- Fluorescent lamps (Max. 140 µ) 700W Max

MULTIFUNCTIONAL 4 IN / 4 OUT - MULTIFUNCTIONAL 8 IN / 8 OUT



The products IO44E01KNX & IO88E01KNX are an EIB/KNX DIN rail mounting devices useful to interface commands (e.g. push buttons) or loads (e.g. lamps) for any kind of applications. The devices are equipped with 4 or 8 binary inputs (clean contacts) and 4 or 8 binary relay outputs. Inputs can be connected to conventional switching devices, e.g. push buttons, switches, floating contacts, for switching functions with pulse edge evaluation (e.g. rising or falling edge, toggle...). Inputs can be configured with ETS SW, as output to drive Leds. Inputs can be used to for on/off commands, dimming, shutter control, scenarios; outputs include switching function, scenarios and control logic function.

ORDER CODES

Multifunctional 4 IN / 4 OUT

Multifunctional 8 IN / 8 OUT

IO44E01KNX

IO88E01KNX

TECHNICAL FEATURES

Dimensions- (W x H x D): 72 x 90 x 58 mm

- Mounting width: 4 (1 SU=18mm)

Mounting

- Bus Line: 2 Terminal of bus connection , Max section 0,8mm²
- Outputs: 2 screw terminals for channel Max. 4 mm²
- Inputs: 3 screw terminals every 2 inputs, Max. 4 mm²

Supply

- From KNX bus 21..30 V DC SELV

Features

- 4 or 8 binary inputs for clean contacts
- Max length 30m twisted cables

Features relay outputs

- Resistive Loads: 16 A Max - 230 VAC
- Incandescent lamps:10 A Max
- Motors : 10 A Max
- Fluorescent lighting transformer 2 A Max
- Fluorescent lamps: use always an external counter

3 X 300W DIMMER MODULE



The 3 channel Dimmer Module is designed to drive dimmable lighting with KNX bus and allow dimming of incandescent and halogen loads of 230V, BT and TBT. The product can control one (900 W), two (600+300 W) or three (3x300 W) independent lighting circuits. Device is intended to be installed on DIN rail.

ORDER CODE

3 x 300W Dimmer Module

DM03B02KNX

TECHNICAL FEATURES

Dimensions

- (H x W x D) 85 x 105 x 60 mm

Mounting

- Width 6 mod. DIN (um 18mm)

Connections

- Bus line: 2 bus connection terminals, section 0,8 mm²
- Outputs: 2 plug-in terminals for each channel section conductors from 0.75 mm² to 2.5 mm²

Supply

- From the KNX bus and power supply 230 V 50/60 Hz

Specific Outputs

- 3 power outputs with the following characteristics
- Power: 20 W to 300 W output with the possibility of coupling between them.
- Power consumption without load 5 W

Control elements

- 1 button to set the maximum value of brightness Max. or Min.
- 1 button for manual control of each output

Indicators

- 1 red LED for programming ETS

ACTUATORS - INTERFACE - PRESENCE SENSOR KNX

3 OUT DIMMER 1-10V



Dimmer used to control lighting circuits via a 1/10V connection, acting upon remote control dimmers or electronic ballasts. Device is intended to be installed on DIN rail.

ORDER CODE

3 OUT Dimmer 1-10V

DM03C02KNX

TECHNICAL FEATURES

Dimensions

- (H x W. X D) 86 x 72 x 66 mm

Mounting

- Width 4 DIN modules

Connections

- Bus line: 2 bus connection terminals, max section 0,8mm²
- Outputs: 2 screw terminals for the relay contact and 2 for the change
- 1-10V, up to section conductors. 2.5 mm²

Supply

- From the KNX bus 21 .. 30 VDC SELV

Specifications 1-10V relay outputs

- 3 power outputs with the following characteristics :
- Incandescent 230V Max. 2300W
- Halogen 2300W
- Halogen lamps with magnetic transformer 1500 VA

- 1500W Halogen lamps with electronic transformer
- 1000W electronic ballast

Specifications 1-10V outputs

- 3 outputs 50mA Max.

Control elements

- 1 button for programming ETS
- 1 button for setting the maximum value of brightness Max. or min.

- 1 button for manual control of each output

Indicators

- 1 red LED for programming ETS
- 3 output status LEDs

ENERGY METER 80A MONOPHASE WITH KNX INTERFACE



Active energy meters for single phase AC with LCD display backlight for the display of values, an input for switching rates between 2 and direct connection to 80A. The values of instantaneous power, KW / KVA h and score for tariff 1 and 2, are sent via the supplied KNX bus interface.

ORDER CODE

Energy Meter 80 A Monophase with KNX Interface

PM10A01KNX

TECHNICAL FEATURES

Dimensions

- Case - 3 modules DIN 43880
- Fixing 35 mm DIN rail EN 60715
- Depth 70 mm
- Reference standards for active energy - EN 50470-1-3 reactive power - output pulse EN 62053-23-31

Functionality

- Connection to single-phase 2-wires
- Rates for active and reactive energy No. 2 T1 or T2

Supply

- Power supply voltage 230 VAC
- 184 VAC voltage variation range ... 276 VAC
- Nominal frequency 50 Hz
- Power consumption (Max.) 8 VA - 0.6 W

Overload

- Permanent voltage Un 276 V / momentarily (1 s) 300 V
- Permanent current Imax 80 A / momentarily (10 ms) 2400 A

Accuracy at 23 ± 1 ° C refer to the nominal values

- Energy and power according to EN 50470-3 active% ± 1 (B)
- Energy and reactive power in accordance with EN 62053-23 ± 2%

Measuring inputs

- Listing phase / W - direct
- Current range (Ist ... IMax) 0,025 direct connection ... 80 A

- Frequency: 50 Hz

- Input waveform - sinusoidal

- Minimum current for the measurement of energy (Ist) 25 mA

S0 output according to EN 62053-31

- Pulse output for active energy and reactive
- Quantity Pulse 1000 imp / kWh
- 30 ± 2 ms pulse duration
- Power required min. 5230% ± 5 VAC / Vdd
- Maximum Series Pulse ON (Max. 230 V AC / DC) 90 mA
- Maximum Series Pulse OFF (leakage current Max. 230 VAC / DC) 1 µA

Optical Interface

- Front Calibration (precision control) LED imp / kWh 1000

ACTUATORS - INTERFACE - PRESENCE SENSOR KNX

ENERGY METER THREE PHASE WITH KNX INTERFACE



Active energy meter for three phase alternating with a backlit LCD display for displaying the values, an input for switching rates between 2 rates and direct connection to 80 A. The values of instantaneous power, KW / KVA h and scored for rate 1 and 2, are sent via the supplied KNX bus interface.

ORDER CODE

Energy meter three phase with KNX interface

PM30A01KNX

TECHNICAL FEATURES

Main Features

- Case 5 DIN 43880 DIN modules
- Fixing 35 mm DIN rail EN 60715
- Depth 70 mm

Reference standards:

- Active energy - EN 50470-1-3
- Reactive energy - output pulse EN 62053-23-31

Functionality

- Electricity network connection 4-wires
- Rates for active and reactive energy No. 2 T1 or T2

Supply

- Power supply voltage 230 VAC
- Voltage variation range 184 VAC ... 276 VAC
- Nominal frequency 50 Hz
- Power consumption (Max.) 8 -0.6 W VA

Overload

- Permanent voltage Un, phase / phase 480 V
- 1 second: phase / phase 800 V
- Permanent phase/N 276 V
- 1 second: phase/N 300 V
- Permanent current Imax 80A
- Momentary (0.5 s) 120A
- Momentary (10 ms) 2400 A

Accuracy at 23 ± 1 ° C refer to the nominal values

- Energy and power according to EN 50470-3 active ± 1% class 1 (B)
- Energy and reactive power in accordance with EN 62053-23 class 2 ± 2%

Measuring inputs

- Listing phase /N - direct
- Current range (Ist ... Imax) direct connection 0,015... 80 A
- Frequency: 50 Hz
- Input waveform - sinusoidal
- Minimum current for the measurement of energy (Ist) 15 mA

S0 output according to EN 62053-31

- Pulse output for active energy and reactive
- Quantity impulse 500 imp / kWh
- 30 ± 2 ms pulse duration
- Power required min. 5230% ± 5 VAC / Vdd

Optical interface

- Calibration Front (precision control) LED imp / kWh 1000

KNX-DMX INTERFACE



Interface between the KNX bus and the DMX512 bus. Combine items for building automation control devices dedicated to enlightenment and special effects. One-way gateway that receives telegrams from the KNX bus and data bus to DMX512. Scenarios of all 512 channels can be configured and managed with KNX group addresses.

ORDER CODE

KNX-DMX Interface

IC00B01DMX

TECHNICAL FEATURES

Dimensions

- 107x75x31mm

Mounting

- Width Mod 6. DIN

Operating Temperature

- -5 ° C / 45 ° C

Control Elements

- 3 x 16 potentiometers, stepper positions
- 1 button (user), 2 LEDs (user)
- 1 button programming for KNX and LED

KNX Power

- 20 - 32V DC, 150 mW

Programming

- Using the USB port

Supply

- 9-30V DC, 100mA, separated

KNX PRESENCE SENSORS - INWALL OR SURFACE MOUNT



Presence sensor dedicated to KNX installations in offices, conference rooms, schools, hospitals etc.. Up 4 different operating modes are possible: the first is standard semi-automatic or fully automatic mode (switching), the second is a semi-automatic or fully automatic mode with the constant adjustment of brightness (dimming), the third is to slave mode, the fourth is a permanent adjustment of the light (control of light is not dependent on the presence). Two target values are set (specified in Lux) and a reference value remains fixed (specified in%). The values can be modified using a communication object. Soft Start for passing reference to enlightenment. Reflectivity for a better adjustment to environmental conditions. HVAC channels activated by push button.

ORDER CODE

KNX Presence Sensors - Inwall

PD00C01KNX

KNX Presence Sensors - Surface Mount

PD00C02KNX

TECHNICAL FEATURES

Dimensions:

- 98 x 50 mm H - Model Code PD00C01KNX
- 80 x 84.5 mm H - Model Code PD00C02KNX

Supply

- 24VDC to KNX / EIB-Bus Network

Detection area:

- 360 ° circular

Range (diameter) in meters:

- Sitting 4.00 m
- Movement away 10.0 m
- Movement approaching 6.0 m

Degree of protection:

- FM IP20 / Class II / EC
- Ambient temperature: -25 ° C to +50 ° C

SYSTEM COMPONENTS

POWER SUPPLY 160 - 320 - 640 MA

Power supply for generating bus voltage on a line with a maximum current of 160, 320 or 640mA according to the model. With integrated choke to decouple the power supply voltage from the bus. Connection with screw terminals. Mounting on DIN rails EN 50022. Connection via bus terminal.

ORDER CODE

160 mA Power Supply
320 mA Power Supply
640 mA Power Supply

PS00C01KNX
PS00B02KNX
PS00B03KNX

TECHNICAL FEATURES

Dimensions

- H 90 x W 72 x D 58 mm for PS00C01KNX & PS00B02KNX
- H 90 x W 110 x D 58 mm for PS00B03KNX

Mounting

- Width (UM = 18mm) 4 mod. DIN (PS00B01KNX & PS00B02KNX)
- 6 mod. DIN (PS00B03KNX)

Connection

- Bus line connecting terminal, wire max section 0,8mm²
- Power supply 230V with plug-in terminals, cable max section 2,5mm²

Supply

- Line voltage: 230V AC, 50-60Hz

Output voltage

- 29 ± 1V DC

Output current / model

- Max 160mA, 320mA, 640mA with protection against short circuit

Control elements

- 1 switch to reset output power

Reports

- 1 green LED for power bus
- 1 red LED for overload warning

BUS LINE COUPLER KNX

LC00A01KNX can be used as a line coupler to connect a line to a main line or as a backbone coupler to connect a main line to a backbone line. LC00A01KNX supports long messages (up to 250 bytes) and provide a configurable special function activating by a frontal button which is very useful in commissioning / installing phase or during system tuning.

ORDER CODE

Bus Line Coupler KNX

LC00A01KNX

TECHNICAL FEATURES

Dimensions

- H 80 x W 36 x D 58 mm

Mounting

- 2 mod. DIN

Connections

- KNX/EIB instabus terminal for superordinate and subordinate line

Supply

- From KNX bus 21..32 V DC SELV

Control elements

- 1 button: Programming for ETS

Indicators

- LED Bus Stat Main green - Off: main line error - On: main line ok
- LED Bus Stat Main red - On: manual overwrite active
- LED Bus Stat Sub green - Off: sub line error or not connected On: sub line ok

- LED Traffic Main green - Blinking: bus traffic on main line Off: no traffic on main line
- LED Traffic Sub green - Blinking: bus traffic on sub line Off: no traffic on sub line
- LED Traffic Main red - Blinking: transmission error on main line
- LED Traffic Sub red - Blinking: transmission error on sub line
- LED Group Address - Routing of group telegrams - Off: main and sub different - Green: filter table active - Green and red: route all - Red: block
- LED Physical Address - Routing of physical addressed telegrams - Off: main and sub different - Green: filter table active - Green and yellow: route all - Yellow: block

USB - IP - IP ROUTER INTERFACE / KNX

These devices allows the communication between computers, IP devices with the KNX bus system.

- KNX / USB 1.1 or 2 interface for direct connection to your computer
- KNX / IP interface for direct or LAN connection for programming or supervision of the KNX system.
- KNX / IP router, is used for connectionless and simultaneous transmission of KNX telegrams to several devices. It can also be used as a programming interface KNX bus system

ORDER CODE

USB / KNX Interface
IP / KNX Interface
IP ROUTER / KNX Interface

IN00A02USB
IN00A02IPI
IN00A01RIP

TECHNICAL FEATURES

Dimensions

- Weight: 100 g Dimensions: H: 90 x W: 36 x D: 65 mm

Mounting

- Width (UM = 18mm) 2 mod. DIN

Connections for USB / KNX

- Bus line with bus connecting terminal, wire max section 0,8mm²
- USB type B socket

Connections for Interface IP - IP Router / KNX

- Bus line bus connecting terminal, wire max section 0,8mm²
- Complementary power supply: 2-wire screw terminals with max section 4 mm²
- Network RJ45 LAN jack

Supply

- From the KNX bus 21 .. 30 VDC SELV <300 mW
- Additional 5V DC <200 mW through USB for KNX/USB interface
- Additional 12/24 V DC for KNX/IP interface
- Additional 12/24 V DC for KNX/IP Router

Indicators

- 1 green LED active connection
- 1 yellow LED notified of data traffic

ACCESSORIES

EIB / KNX BUS CABLE



It is used for installation in "smart" building applications. Guarantees perfect communication in accordance with specifications established by EIB / KNX, and is suitable for applications with fixed wiring inside channels and under plaster.

ORDER CODE

Double-bus cable 2x2x0, 8 coils 100mt
Double-bus cable 2x2x0, 8 coils 500mt
Double-bus cable 2x2x0, 8 coils 1000mt
Single bus cable 1x2x0, 8 coils 100mt
Single bus cable 1x2x0, 8 coils 500mt
Single bus cable 1x2x0, 8 coils 1000mt

CV00A01KNX
CV05A01KNX
CV10A01KNX
CV00A02KNX
CV05A02KNX
CV10A02KNX

TECHNICAL FEATURES

Inner conductor:

- Solid bare copper wire

Construction:

- 1x2x0,80 mm or 2x2x0,8 mm

Dielectric:

- Low Smoke Zero Halogen fire retardant compound (LSZHFRNC)

Colours:

- Red, Black or Red, Black, Yellow, White

Outer Jacket

- Low Smoke Zero Halogen fire retardant compound (LSZHFRNC)

Classified

- CEI 20-11 M1

According to:

- IEC 60332-1, IEC 61034-1, IEC 61034-2, IEC 60754-1, IEC 60754-2

Diameter

- 5,20 mm ± 0,20

Colour

- Green (RAL 6018)

3V LED INDICATOR

Packages of 20 or 60 pcs LED with Blue or White light 3V wired red / black.



ORDER CODE

3v LED indicator light blue wiring red-black - 20 pcs
3v LED indicator light blue wiring red-black - 60 pcs
3v LED indicator light white wired red-black -20 pcs
3v LED indicator light white wired red-black -60 pcs

LD00A01ACC
LD00A02ACC
LD00A11ACC
LD00A12ACC

TECHNICAL FEATURES

Dimensions

- 3 mm x 4.3 mm (width and height) and 3.85 mm (radius)
- Current: 20 mA
- Reverse Voltage: 5 V
- Luminous Intensity: 4000 Min - Max 9000mcd

BUS CONNECTOR

BUS Connector Red / Black for EIB / KNX, with direct plug connection. They can be connected up to 4 pairs of wires to a KNX device can also be used as a branch terminal.



ORDER CODE

Wago connector Red / Black Box 10 pcs
Wago connector Red / Black Box 500 pcs

WG00A01ACC
WG00A02ACC

TECHNICAL FEATURES

- Wire 22 to 18 AWG (0.6 - 1 mm)
- EN detected voltage 100V
- Rated current 6A
- Stripping length from 5 to 6 mm
- Weight 1.6 gr
- Dimensions alt. x width. x depth.: 11.5 x 10 x 10 mm

The EIB / KNX technology standard is now the most widely used in the field of control for buildings with service and residential uses, and covers more than 10,000 devices produced by some 130 leading manufacturers in electronics / devices, and more than 12 million nodes installed worldwide.

KNX is approved by:

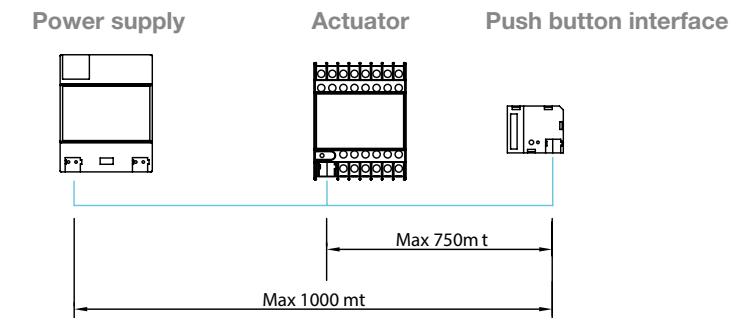
- European Standard (CENELEC EN 50090, CEN EN CEN 13321-1 and EN 1332-2 "KNXnet / IP")
- International Standard (ISO / IEC 14543-3)
- Chinese Standard (GB / Z 20965)
- U.S. Standard (ANSI / ASHRAE 135)

For more information see the Konnex website at: www.konnex.org

BUS LINE EXTENSION

The structure of a KNX installation comprises areas, lines and devices. Each line consists of a power supply that provides voltage (SELV 29V), and a maximum of 64 devices connected in any installation topology. More bus lines can communicate with each other through "Line / Area Couplers". To achieve coupling between 15 lines, you need to create an Area composed of a total of 960 devices: this can be coupled to a maximum of 15 other Areas.

A bus line can have a maximum length of 1,000m (considered as the sum of all segments in the line), and the maximum distance between the adapter and the farthest device or between two devices is 750 m.

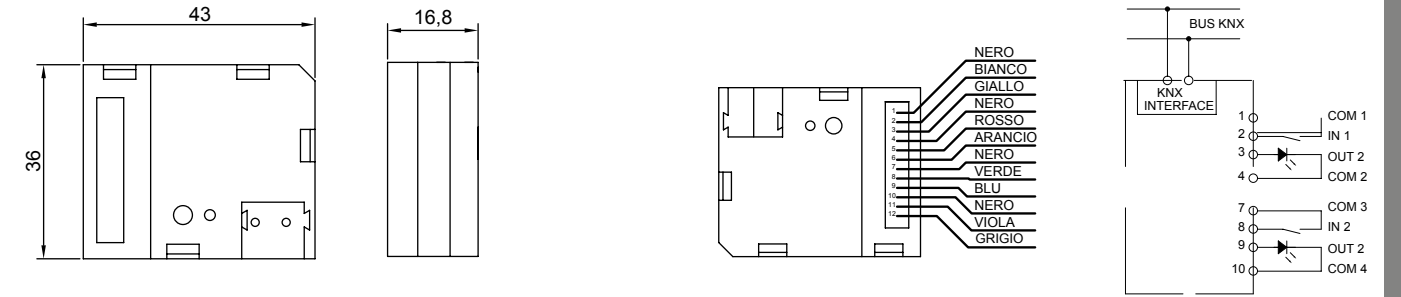


TECHNICAL CHARACTERISTICS OF THE SYSTEM

System Data	
Bus cable	
Cable type	2 x 2 x 0.8 double cable. A pair of conductors (red, black) for signal transmission and power. A pair of conductors (yellow, white) for additional applications (SELV).
Disposizione cavo	1 x 2 x 0.8 single cable. A pair of conductors (red, black) for signal transmission and power.
Length of a line (conductor diameter: 0.8 mm)	max 1000m (including all derivations)
Distance between two bus devices	max 700 m
Distance between a bus and power (320 mA) with integrated coil	max 350 m
Bus appliances	
Number of Areas	15 max
Number of lines per Area	15 max
Number of bus devices per line	64 max
Topology	Spin, star, tree configurations
Power	
System voltage	21-30 V DC (safety voltage SELV)
Power Supply	160, 320 or 640 mA
Power line in case of high demand for current	2 power supplies (max) at a minimum distance of 200 m
Transmission	
Transmission technique	Decentralized, event-driven, serial, symmetric
Speed	9600 bit/s

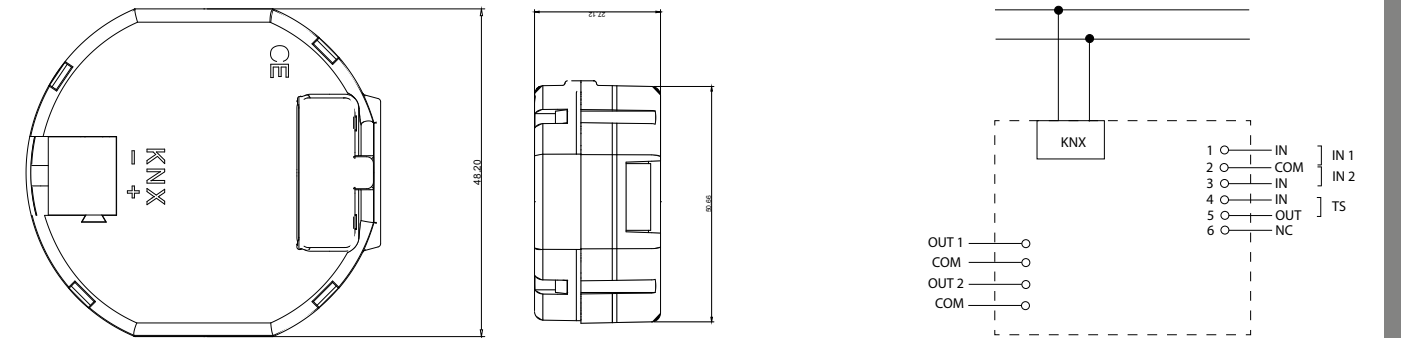
PUSH BUTTON INTERFACE 2 IN / 2 OUT LED - PUSH BUTTON INTERFACE 4 IN / 4 OUT LED

IO22C02KNX - IO44C02KNX



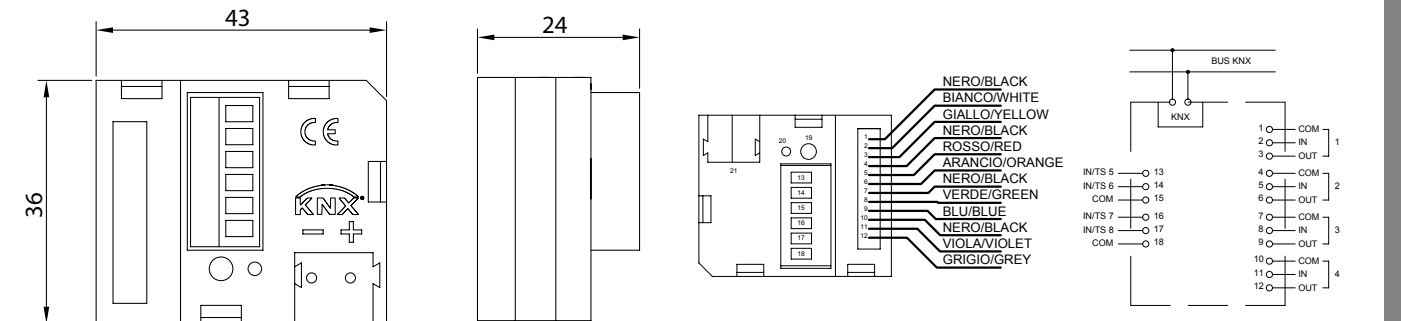
INWALL MODULE 3 IN / 2 OUT

IO32D01KNX



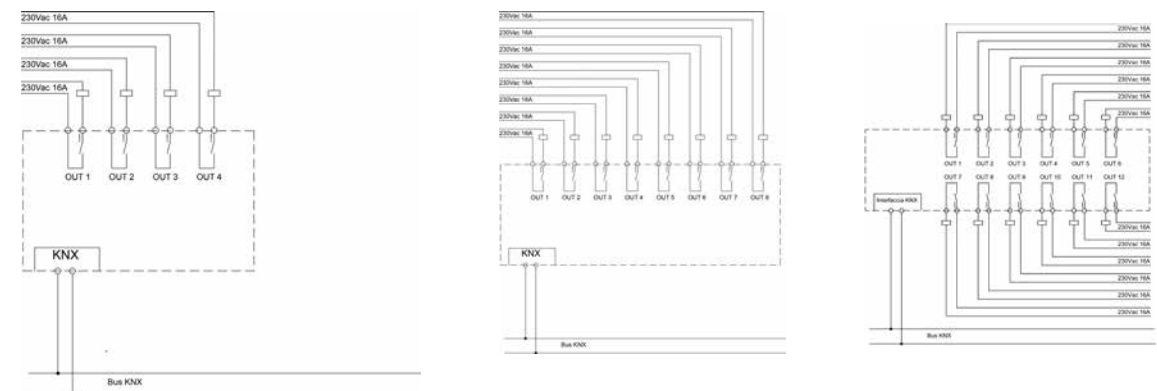
INWALL 8 INPUT/4 LED OUTPUT MODULE

AD84A02KNX

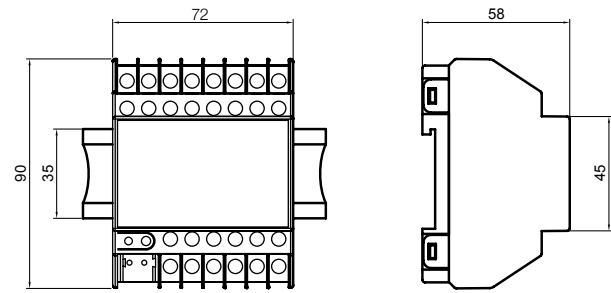


UNIVERSAL 4 OUT / 8 OUT / 12 OUT

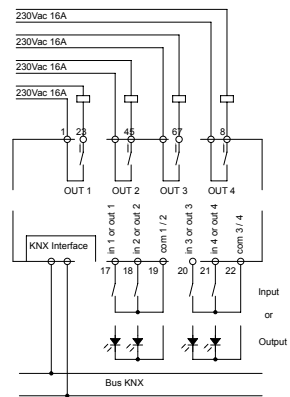
BO04A01KNX - BO08A01KNX - BO012A01KNX



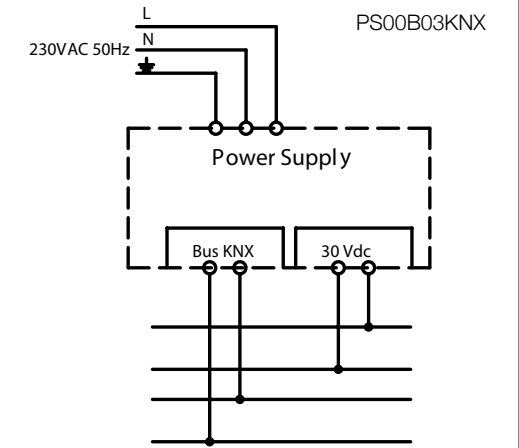
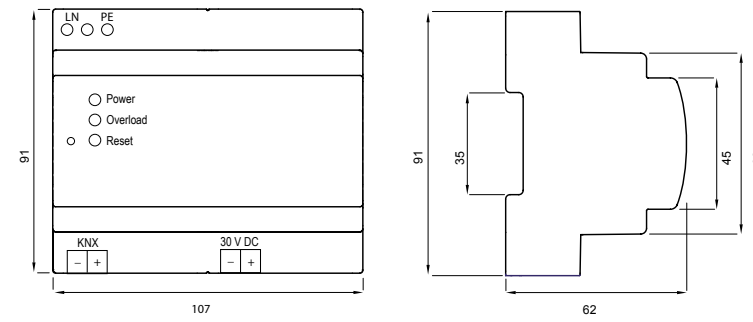
UNIVERSAL 4 IN / 4 OUT C-LOAD - MULTIFUNCTIONAL 4 IN / 4 OUT



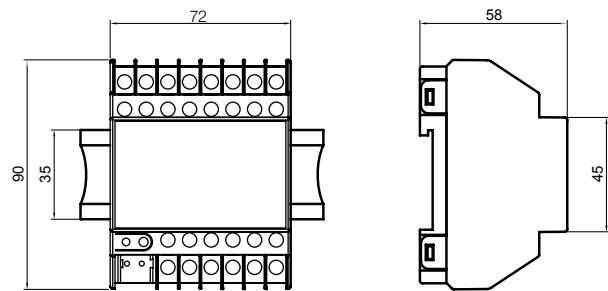
IO44B02KNX-C - IO44E01KNX



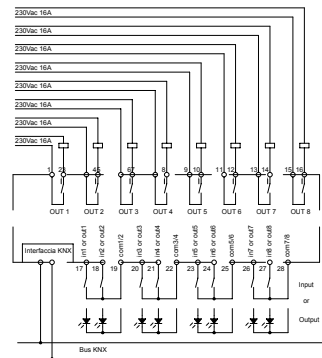
640 mA POWER SUPPLY



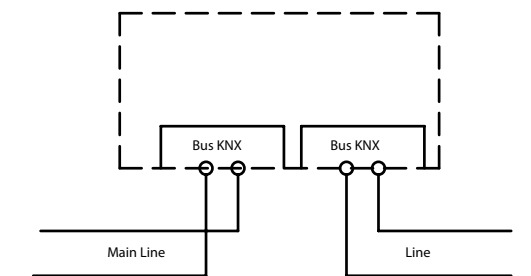
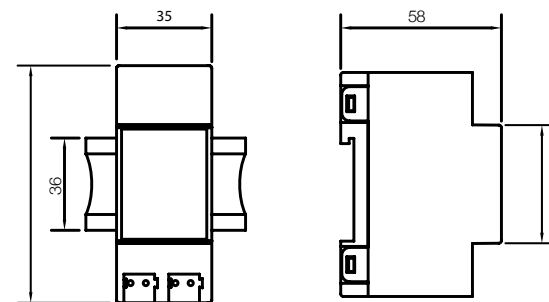
UNIVERSAL 8 IN / 8 OUT C-LOAD - MULTIFUNCTIONAL 8 IN / 8 OUT



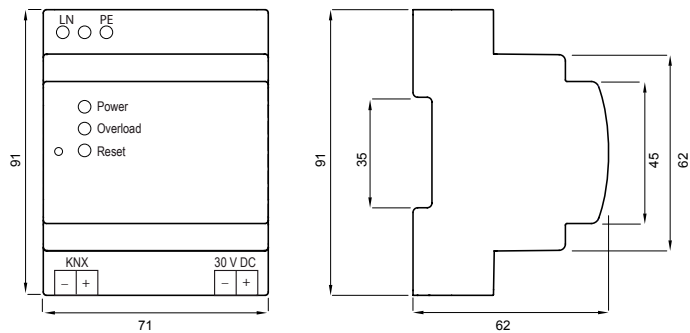
IO88B02KNX-C - IO88E01KNX



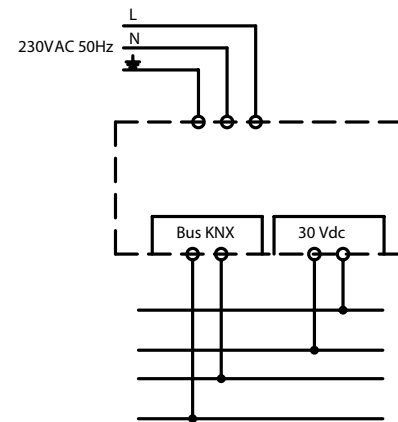
BUS LINE COUPLER KNX



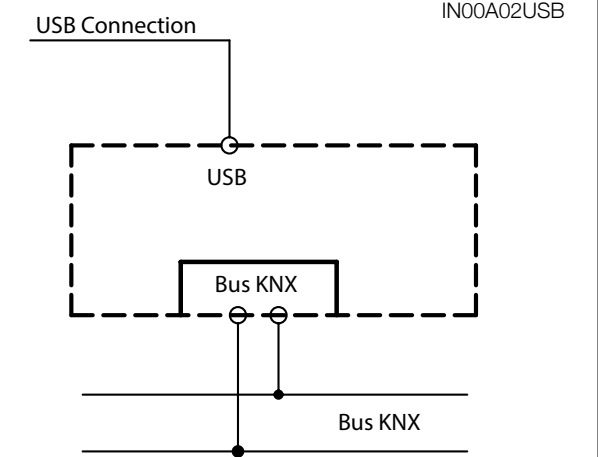
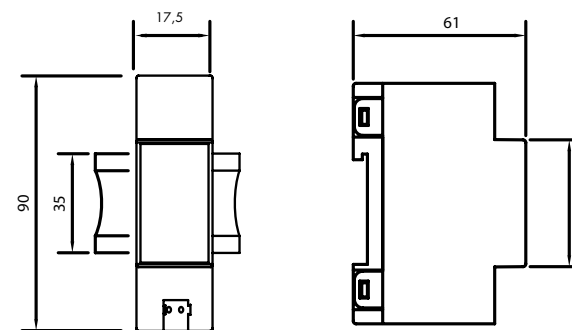
160 mA POWER SUPPLY



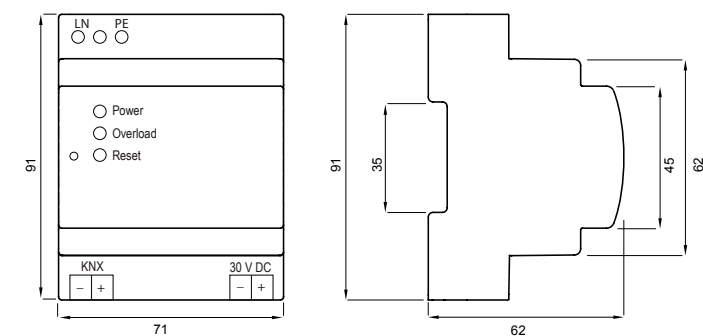
PS00C01KNX



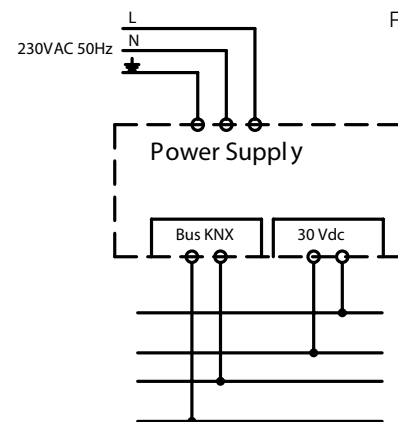
USB/KNX INTERFACE



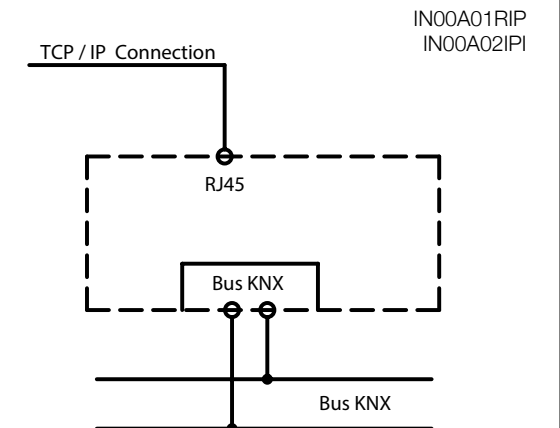
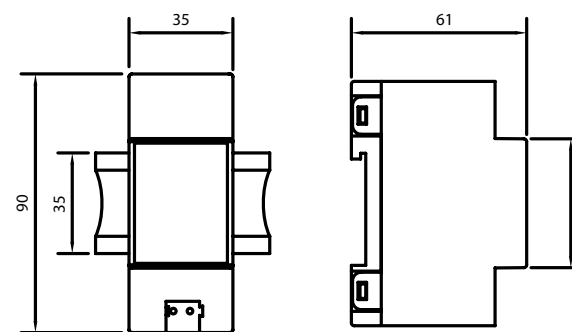
320 mA POWER SUPPLY



PS00B02KNX



IP ROUTER /KNX INTERFACE - IP/KNX INTERFACE



References



Westin Golf Resort & Spa

172 rooms - Abu Dhabi (UAE)

“All the 172 guestrooms feature Eelectron’s access control and lighting management system, and the rooms are equipped with customs touch panels used as bed side panels or main room controllers.

The user interfaces were designed from our consultants and perfectly customized from Eelectron’s staff.

From the reception, we are able to control the full room supervision and automation and we are able to connect the access control system with the installed PMS.

We can affirm that we are satisfied with Electron’s system and products, and that this solutions is fitting to the highest standards we constantly require to our suppliers”.

S. Weyer - Director of Engineering
(WESTIN HOTELS & RESORTS)

Segrate Village

425 flats - Milan (Italy)

“After a long search on the home automation system to adopt, and a first attempt to use a proprietary system, we made the decision to go for a KNX standard product.

We can affirm that our choice was really happy: we could implement, improve and upgrade all apartments with no limitations, and we were able to choose suppliers from time to time with the best equipment that the market was offering for each application.

Anyhow, also within KNX products and different KNX manufacturers, not all is equal in terms of products, know how and service. Among the players that invest in research and development and delivers new ideas and products to the market, we trust Eelectron to be one of the best market actors and a professional and skilled company, able to deliver full service with fast problem solving attitude.

For this reason, all our flats are equipped with their system and products as main solution”.

2011 - F. Sagnelli - Managing Director
(CONTINENTAL REAL ESTATE)



Hotel Catalonia Fira

264 rooms - Barcelona (Spain)

“I have finished the construction of the hotel, and your access control system for the hotel doors has worked very well. I hope to use it many times in the future”.

P. Trivino - Owner
(PTM INGENIERIA)

Tesoro Blu Hotel & Spa

93 rooms - Kefalonia (Greece)

“In a private and secluded valley with open views to the majestic Ionian Sea, in Skala, Tesoro Blu Hotel and Spa was built in 2012, and include light management, access control and thermoregulation made by Eelectron’s products”.

M. Tzouganatos - Owner
(A. & G. TZOUGANATOS C. O.)





Eelectron SpA is a Training Center certificated by KNX Association.
For more informations concerning our courses, check our site:
www.eelectron.com

Details and functional specifications in this catalogue are subject to change without notice. The colors are indicative only. Despite checking that the contents of this document relating to hardware and software features of the product, we can not completely rule out the discrepancies. Eelectron is deemed exempt from any liability on the use of the information. Any necessary corrections will be included in the new versions of the manual. This catalogue can be freely downloaded from our website: www.eelectron.com.

Stay tuned!

To Download our Product Catalogue, User Manuals, Datasheet, Software or commercial informations visit our site:

www.eelectron.com

Subscribe to our newsletter





Eelectron SpA - Via Monteverdi 6 - 20025 Legnano - Milano - Italy - Tel +39 0331500802 - Fax +39 0331564826
info@eelectron.com - www.eelectron.com